

ERSATZTEILLISTE
SPARE PARTS LIST
LISTE DES PIECES DE RE -
CHANGE

VALID FROM
SERIAL NO: 41.500

MACHINE:

41/E

E



SPARE PARTS LIST

COATING MACHINE H 41 E

valid from serial no. 41.500

Electrical parts

B2242	Break module 250 W complete
C0026	SPS selectron PMC22A (without EEPROM)
C0220	Fourfold potentiometer block for SPS
C0314	EEPROM cassette ROM 23
C0410	Power pack 2A PSM 20
C1005	Frequency converter 0,75 kw
C2220	Text-display 20 digit XBT-K
C3016	Keyboard 16-field BCD
E0210	Security terminal "Phönix"
E0212	Top for security terminal
E0310	Earth terminal "Phönix"
E0410	Terminal block grey "Phönix"
E0411	Terminal block blue "Phönix"
E0432	Triple terminal block with ground "Phönix"
E0500	Terminal box 5 x 2,5 mm network
E0510	Module terminal-D-Sub 25-pole "Phönix"
E0710	Complex right 3-pole for limit switch
E0715	Angle plug 3-pole for foot switch
E0720	Chassis-plug 3-pole for limit switch
E0760	Chassis-coupler 3-pole for foot switch
E1000	Main switch EHS
E1500	Emergency switch red
E1554	Impulse pressing button 2 st.
E1564	Catch pressing button 2 st.
E1582	Protecting cover for STEP-ON button
E1583	Blank plate (without option T)
E1585	Plug base for pressing buttons
E1595	Pressing button cap with engraving indicate colour and engraving
E1720	Single foot-switch
E2411	Fine wire fuse 1,0AT F2
E2414	Fine wire fuse 2,0AT F3
E2417	Fine wire fuse 6,3AT F1
E2422	Fine wire fuse 16 AT F4, F5
E2720	Buzzer 24VDC
E3202D	Small contactor EC03
E3513	Motor protective switch M04
E3517	Motor protective switch M08
E3530	Auxiliary contact for motor protective switch
E3820D	Relay Elesta 1 UK 24 VDC

E3822D	Relay Elesta 2 UK 24 VDC
E3880	Relay socket 3 UK 11-pole
E3884	Relay holding bow Elesta
E3885	Relay socket 1 UK Elesta
E3886	Relay socket 2 UK Elesta
E5214	Limit switch Telemec XCM-A102 5m
E5610	Single magnet switch
E7010	Bulb EAO 24V-50mA
K0080	Key switch complete
K0082	Stand by key no. ____

Pneumatic parts

B3200	Filter regulator complete
P2020W	Pneumatic valve 24VDC complete
P2025W	Pneumatik valve 24VDC complete double coil (film)
P2111W	Magnet coil 24VDC
P2130W	Coil plug box
P2131W	Seal for coil plug
P2410W	1 pc modular connection plate
P2540W	Blind plate with connection
P4010W	Pneumatic cylinder RCO 30 mm stroke with spring
P4020W	Pneumatic cylinder RCO 30 mm stroke
P4024W	Pneumatic cylinder RCO 70 mm stroke
P4026W	Pneumatic cylinder RCO 110 mm stroke
P5110H	Filter regulator with manometer complete
P5310H	Pressure regulator on front panel
P5508H	Manometer 10bar 40 mm
P5510H	Front manometer 10bar 50 mm
P6121	Chocker valve 1/8" 6 mm
P6311	Flap valve 1/8"
P6712B	Pressure switch 10bar
P6912	Silencer 1/4"
S0006S	Pneumatic tube 6/4 mm black /m
S0090R	Spiral tube 5/3 mm red /m
V0342	T-connection plugable 6 mm
V0412B	Swingring-screwing 6/4 mm
V0490B	Washer 1/8"
V4051C	Reducing nipple outer/inner 1/8"--1/4"
V4283	Vent-plug 3/8"
V4441	T-piece inner-outer-inner 1/4"
V5022	Air-coupler 1/4"
V5512	Plug connection for air-coupler 1/4"

Mechanical parts

A2135	Toothed belt wheel 16 carriage bottom/traverse top
A2139	Toothed belt wheel 16 carriage bottom
A2140	Toothed belt wheel 16 endless belt on shaft
A2141	Toothed belt wheel 16 coating motor
A2142	Toothed belt wheel 16 traverse motor
A2170	Trapezoid toothed belt 16 x ___m
A2172	Trapezoid toothed belt 16 x 720 mm endless
A3050E	Spur wheel module 1 Z50
A3510	Toothed rack module 1 10x10x1000 (indicate length)
A7515	Traverse motor with gear Groschopp complete
A7545	Coating motor with gear Zürrer complete
B1202	Side post for holding beam / aluminium
B1203	King post for holding beam / aluminium
B1210	Carriage plate left side complete
B1211	Carriage plate right side complete
B1214	Guiding shaft 12 mm on carriage plate
B1216	Front turning lever on carriage plate
B1217	Back turning lever on carriage plate
B1218	Squeegee holder POM white
B1220	Cylinder connection head / aluminium
B1228	Brass-pin 8 x 150 mm straight
B1229	Brass-pin 8 x 160 mm bent
B1232	Brass-pin 8 x 60 mm clamping pin
B1233	Screen holder cover / aluminium
B1235	POM-guiding without channel 20 x 20
<u>B1236</u>	POM-guiding with channel 20 x 20
B1245	Limit switch ramp carriage bottom
B4228	Tension wheel toothed belt 16 traverse top complete
B4229	Toothed belt wheel for traverse motor complete
B4233	Tension wheel toothed belt 16 carriage bottom complete
G0741S	Knurled screw M4 x 10 mm
G0765S	Knurled screw M6 x 25 mm
G0768S	Knurled screw M6 x 45 mm
G0770S	Knurled screw M6 x 55 mm
L0010	Special ball bearing conrave
L0033Z	ball bearing 3 mm 623ZZ
L0063Z	ball bearing 6 mm 626ZZ
L0120Z	ball bearing 20 mm 6004ZZ
L0725Z	ball bearing 25 mm 16004ZZ
L7404	Flange bearing UFL004
N0190	Dowel-screw for cylinder M6 x 12 mm
N0191	Dowel-screw for cylinder M6 x 16 mm
N1010	Levelling foot M10 x 70 mm

~~26.85~~ / 44.75
44.97 / 74.95

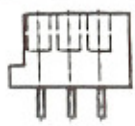
Construction parts

B020	Control concole (indicate height)
B021	Side cabinet (indicate height)
B022	Floor console (indicate width)
B023	Cover plate (indicate width)
B024	Door plate (indicate height)
B025	Motor shaft hexagon (indicate width)
B1212	Wagon on carriage plate complete
B1222	Connection on carriage for spiral tube
B1230	Screen holder top complete
B1231	Screen holder bottom complete
B1240	Magnet pin top with 2 magnets complete
B1241	Magnet bar bottom with 1 magnet complete
B1242	Magnet pin bottom with 1 magnet complete
B2205E	Front panel H 41 E complete
B2225E	Control panel H 41 E complete without option T
B2225E	Control panel H 41 E complete with option T
B2240	Limit switch panel complete
B2250	Feet-switch strip complete
B921	Front carriage traverse 80/40 (indicate width)
B922	Back carriage traverse 80/40 (indicate width)
B923	Front squeegee carrier 60/40 (indicate width)
B924	Back squeegee carrier 60/40 (indicate width)
B925	Screen traverse top 60/40 (indicate width)
B926	Screen traverse bottom 60/40 (indicate width)
B928	Guiding rail Forster (indicate height)
E0910	Spiral tube PG36 black (indicate length)
E0920	Spiral screwing PG36 black
E0930	Tilting flange PG36 black
K0010	Square lock 6 mm complete
K0012	Key square 6 mm
K4010	Cap 8 mm for clamping pin
L9620	Free-wheel NSS 20

Additional Parts

B9290	Squeegee profile - 500 mm
B9291	Squeegee profile - 1000 mm
B9292	Squeegee profile - 1500 mm
B9293	Squeegee profile - 2000 mm
B9294	Squeegee profile - 2500 mm
B9295	Squeegee profile - 3000 mm
C1130E	Temperature regulator PT 100 (Option T)

4.2.1991/ELH41EE



E1585



E1595

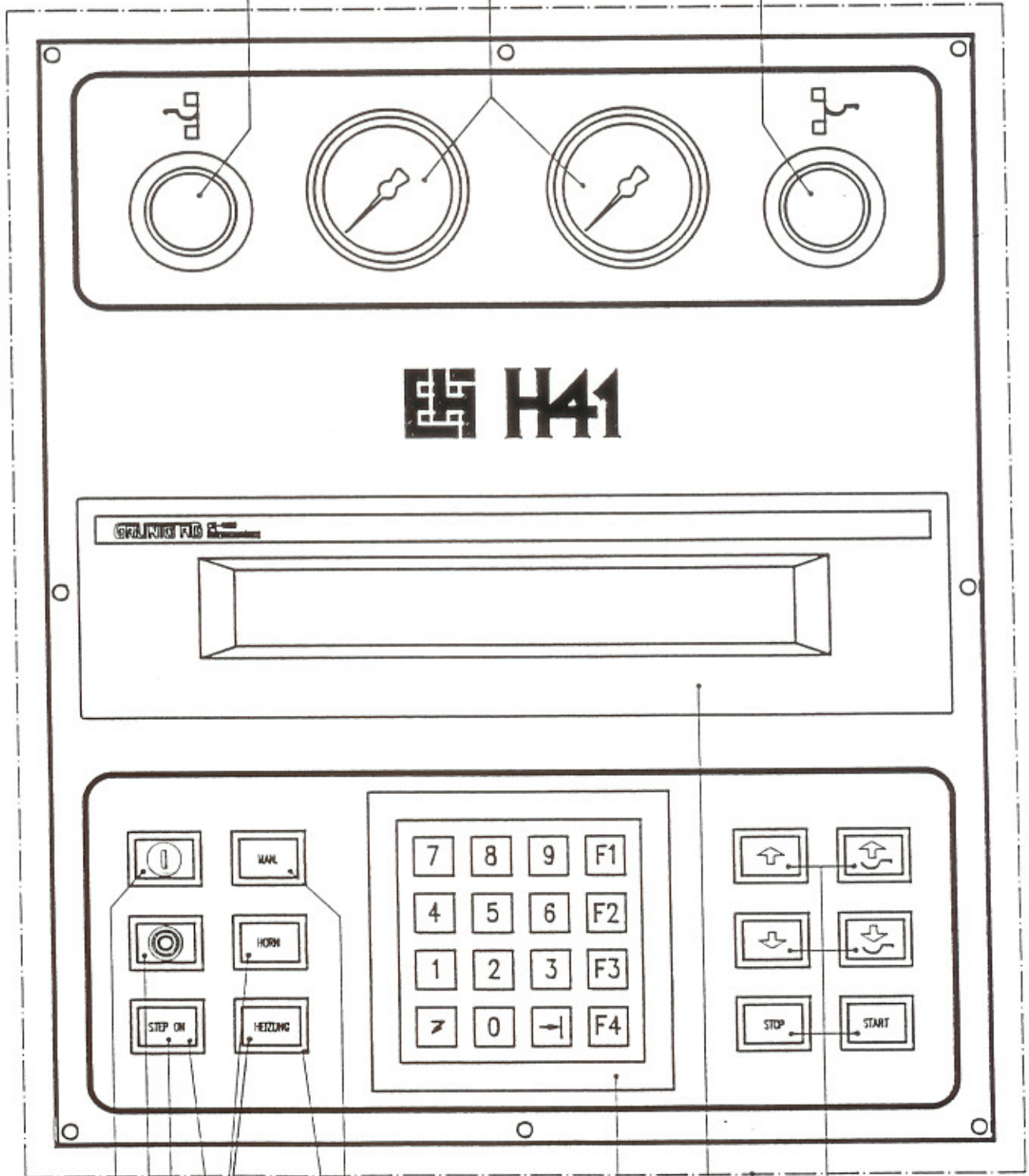


E7010

P5310-H

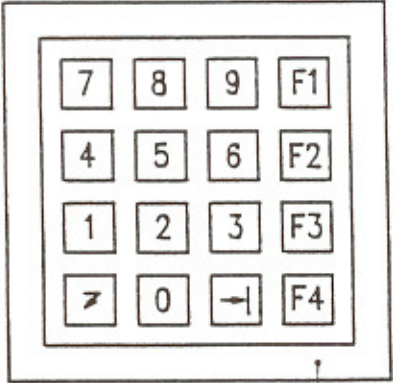
P5510-H

P5310-H



H41

GEM. NIE FID E-



K0080
K0082

E2720

E1582

E1564

E1554

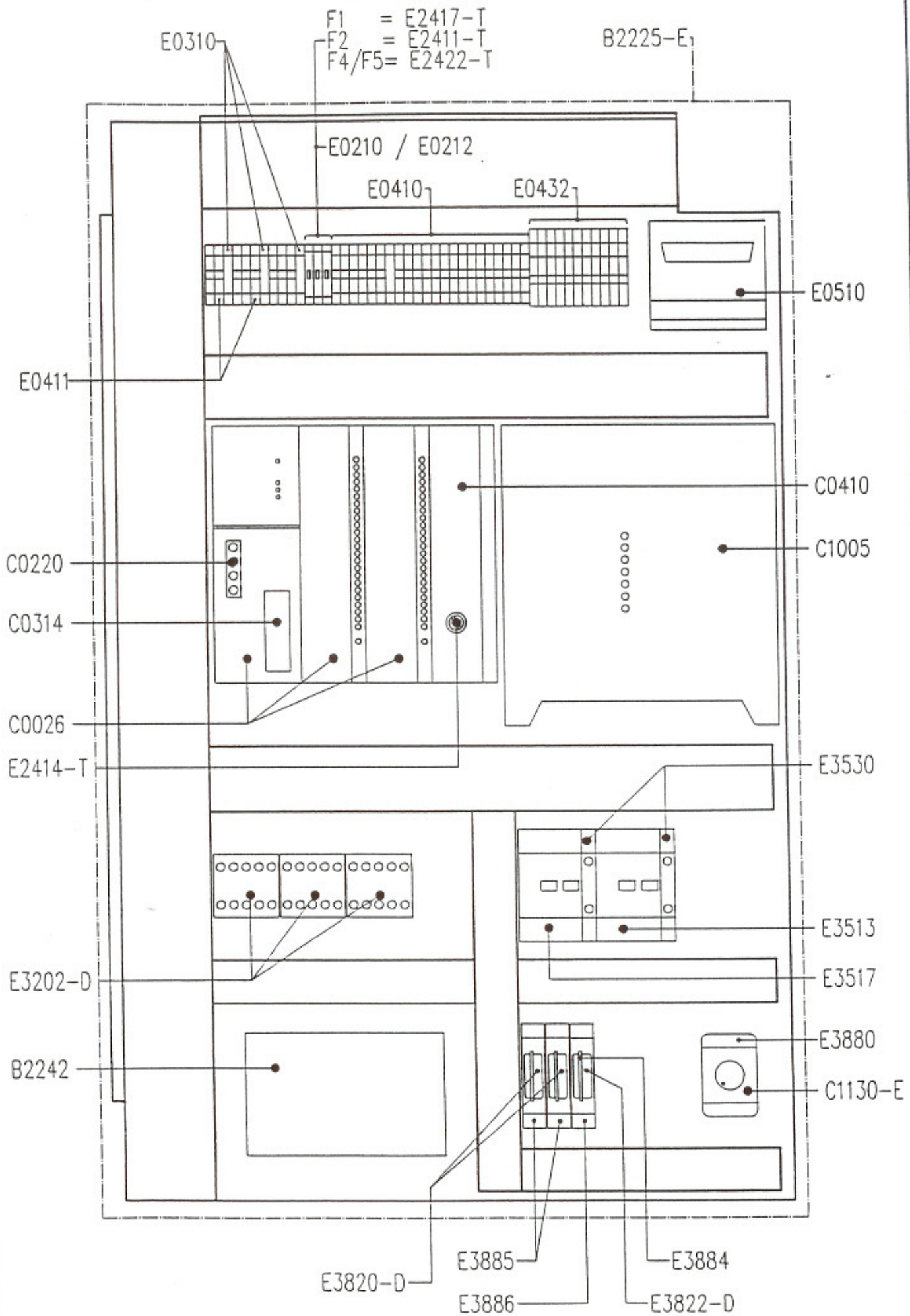
E1583

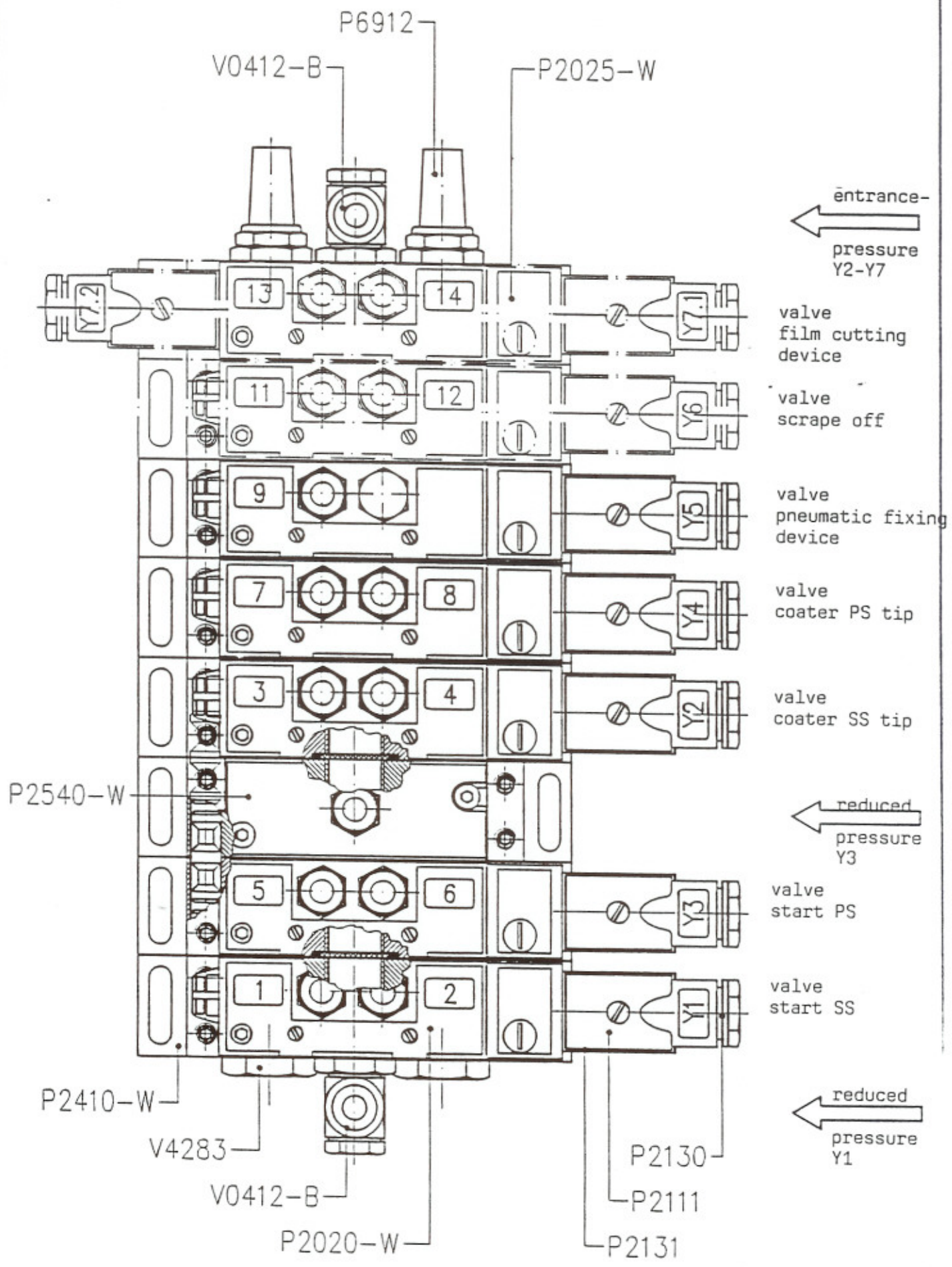
C3016

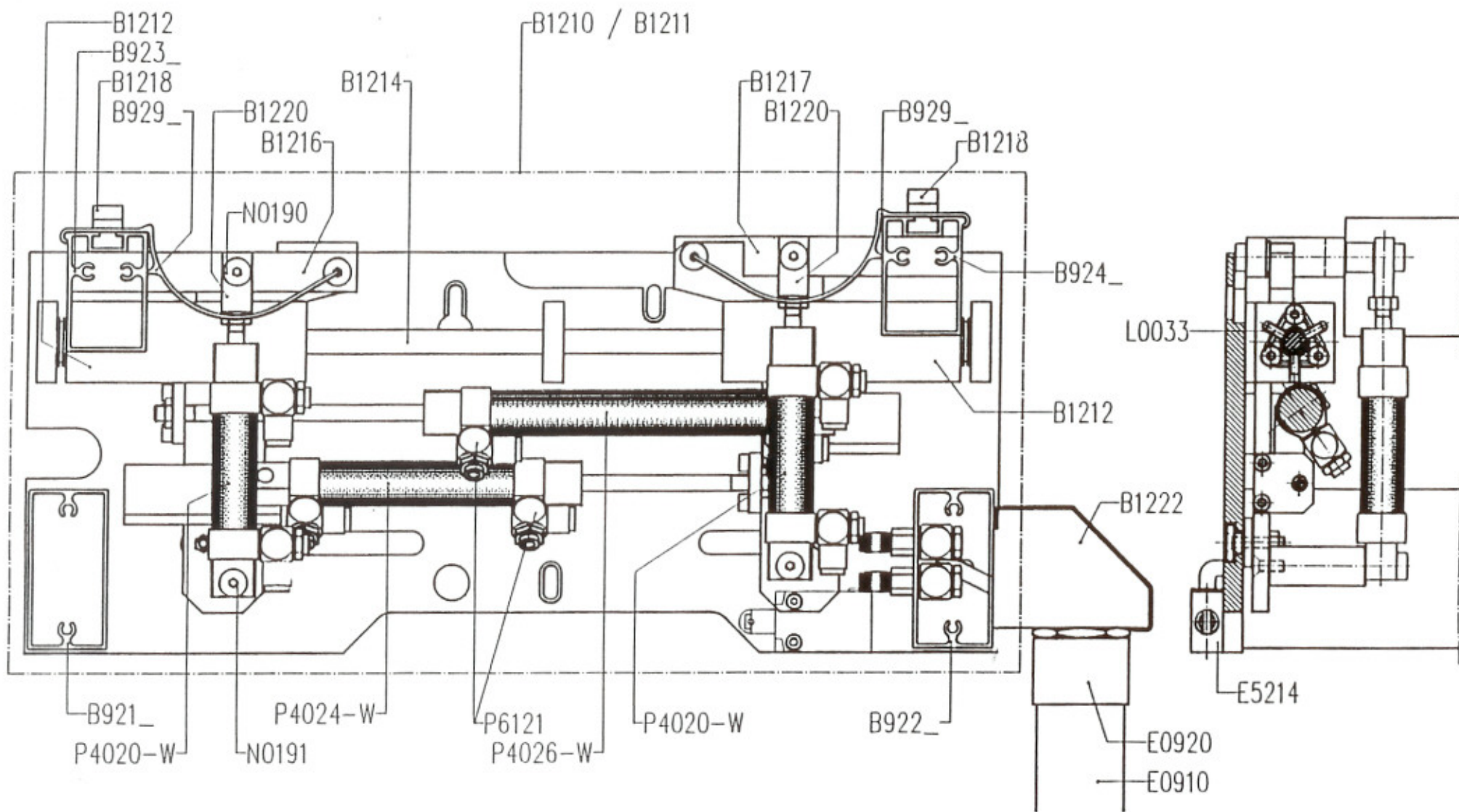
C2220

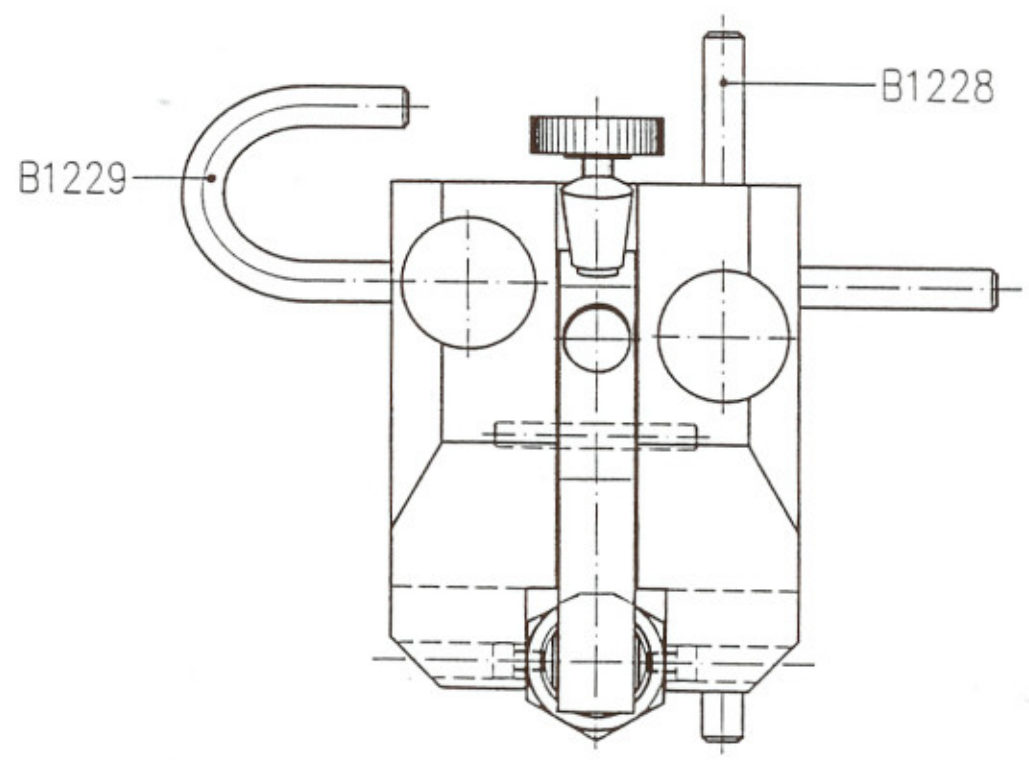
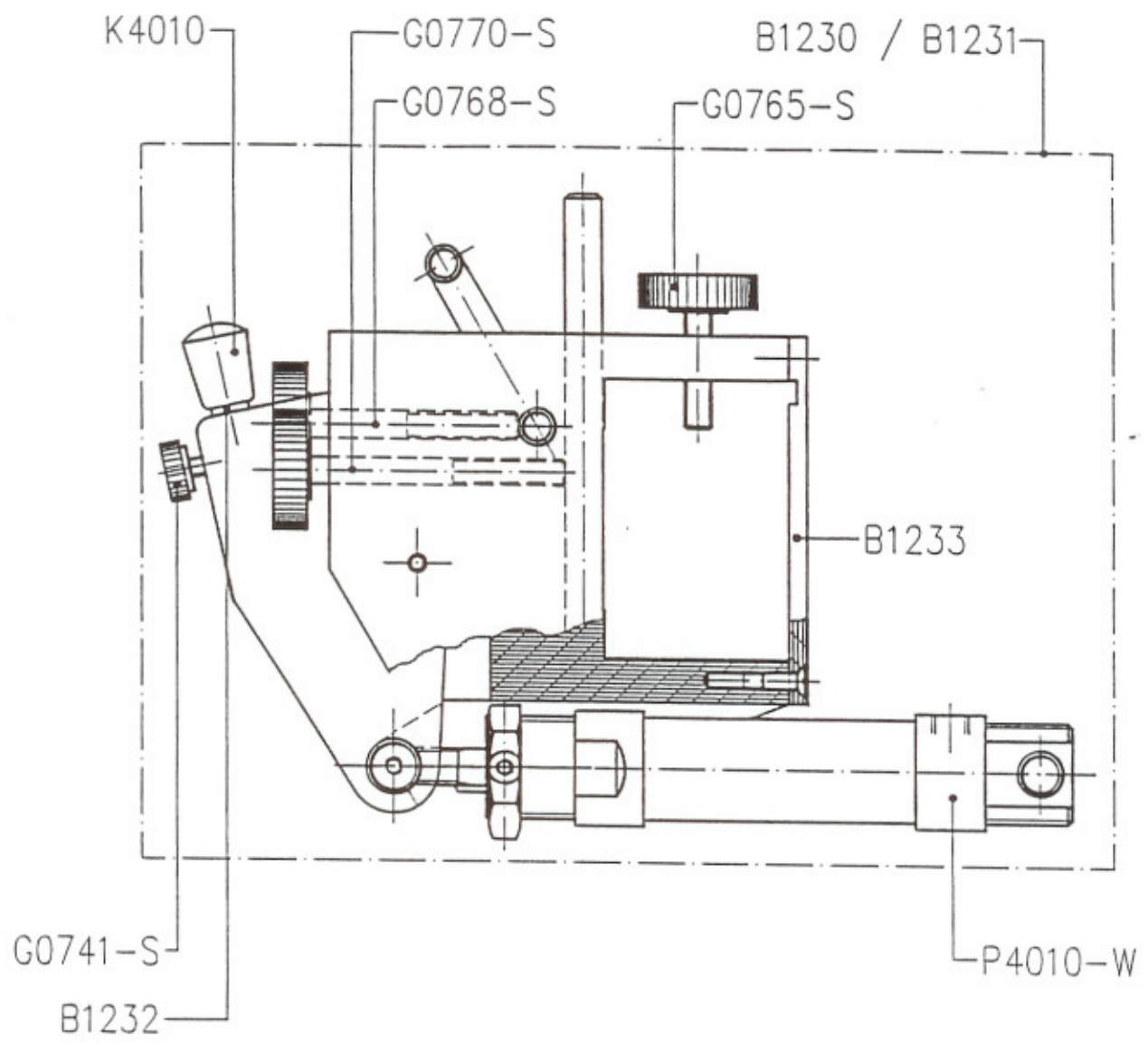
E1554

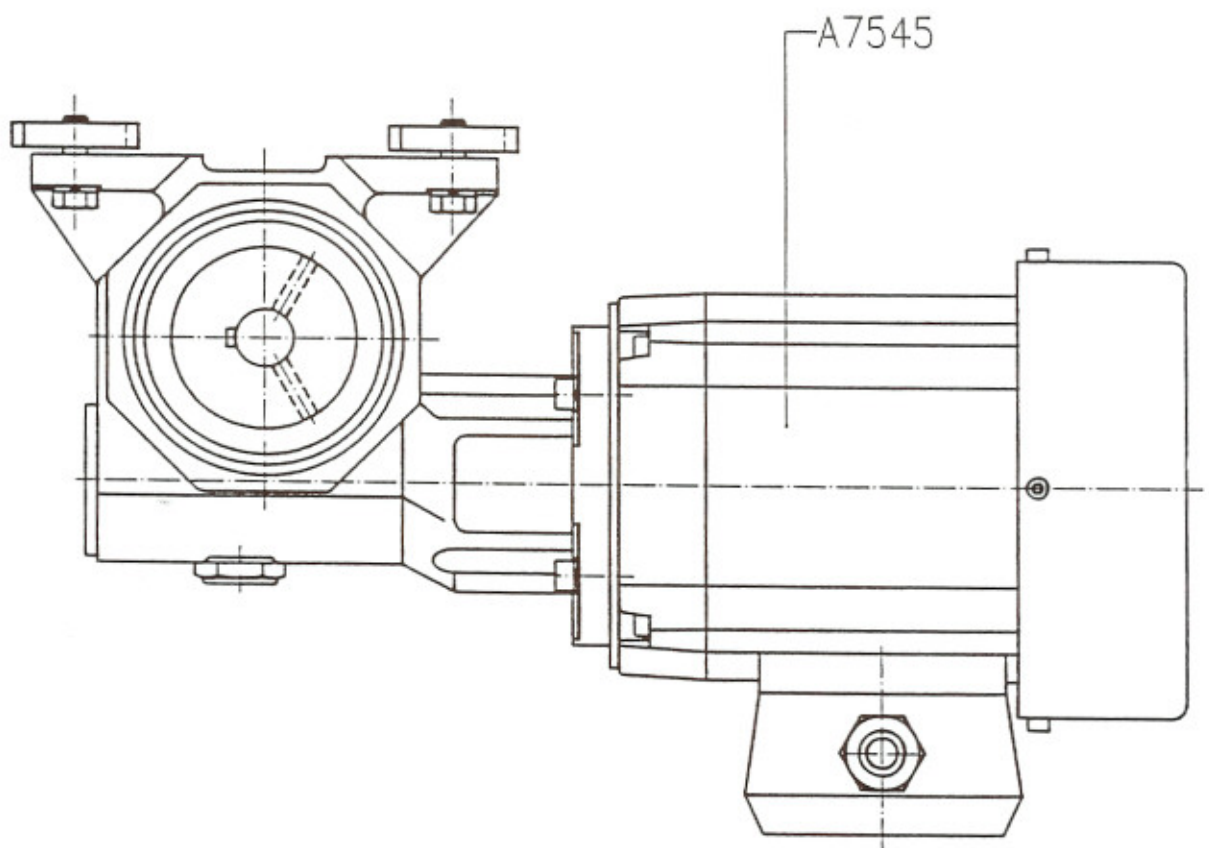
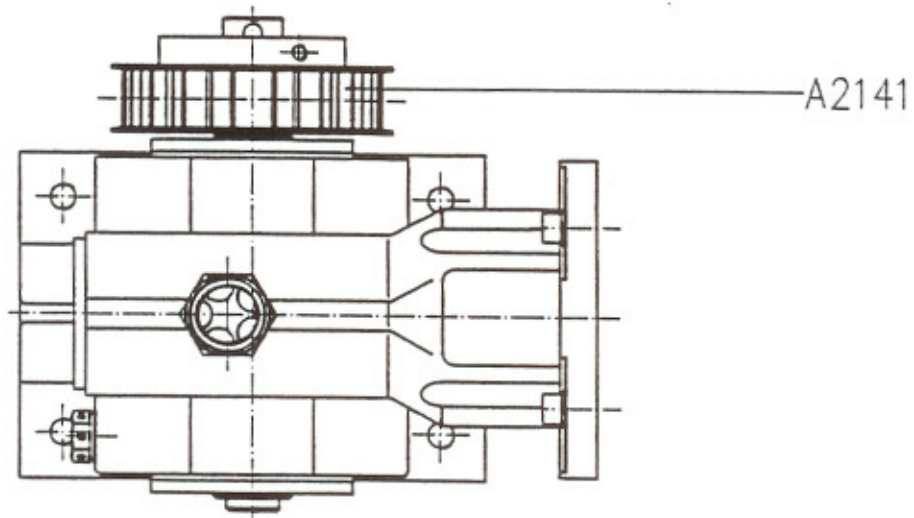
B2205-E

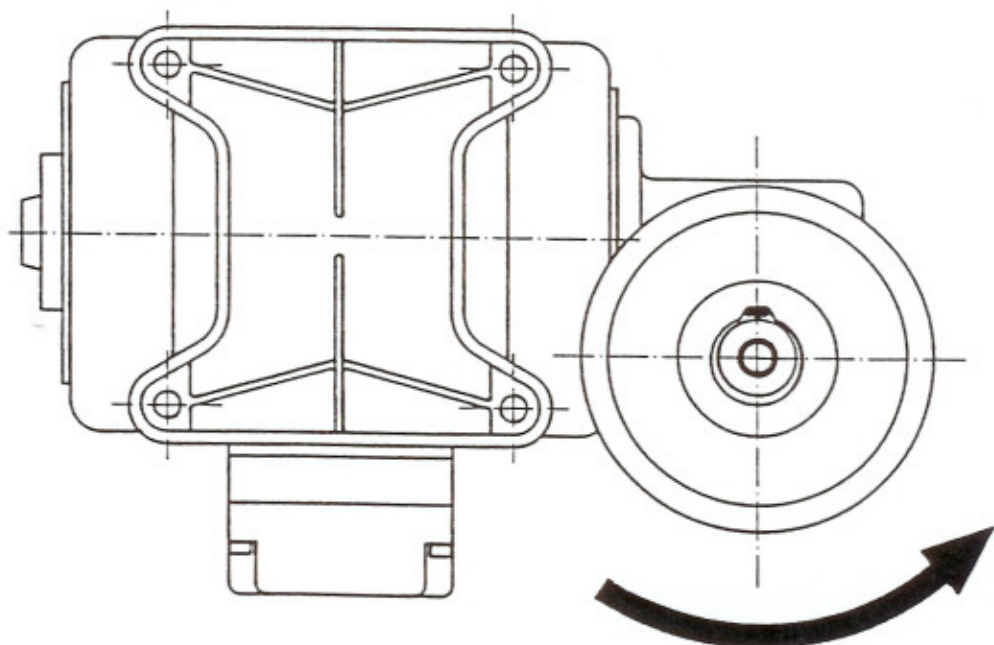
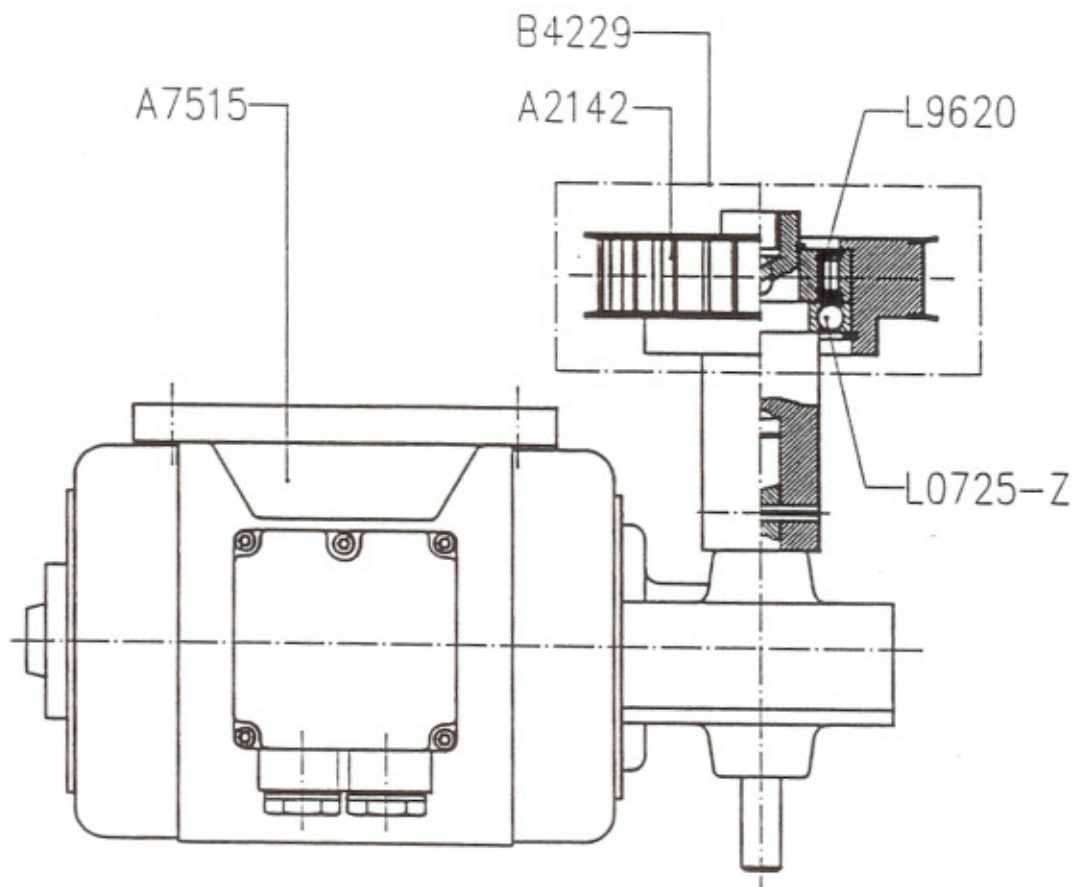




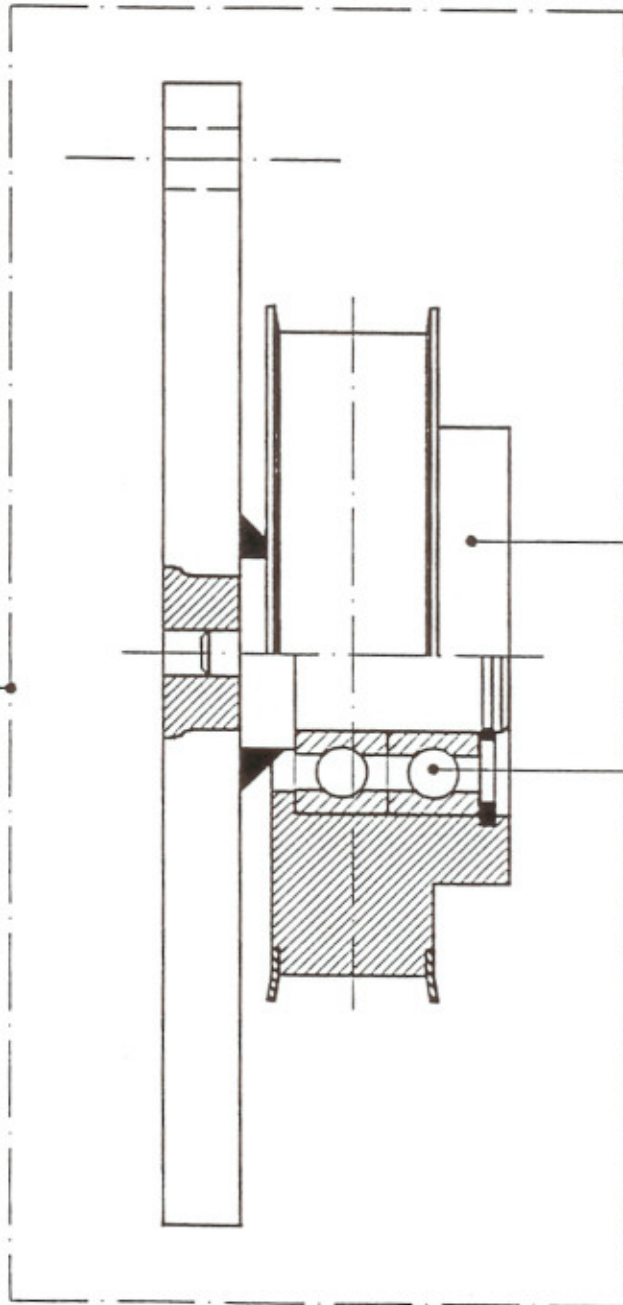






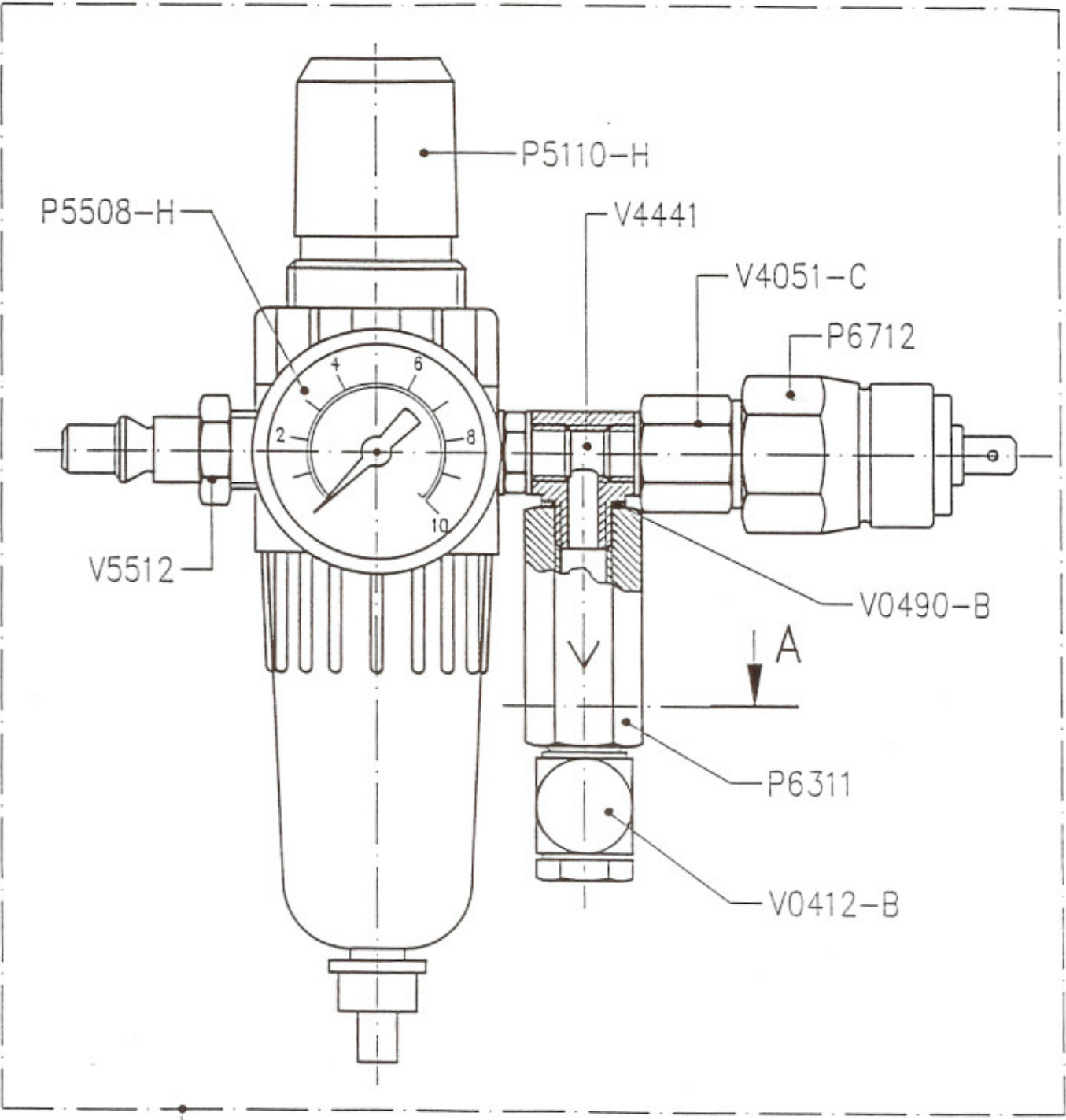


B4233

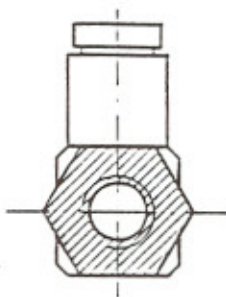


A2135

L0120-Z



B3200



SCHNITT A

