

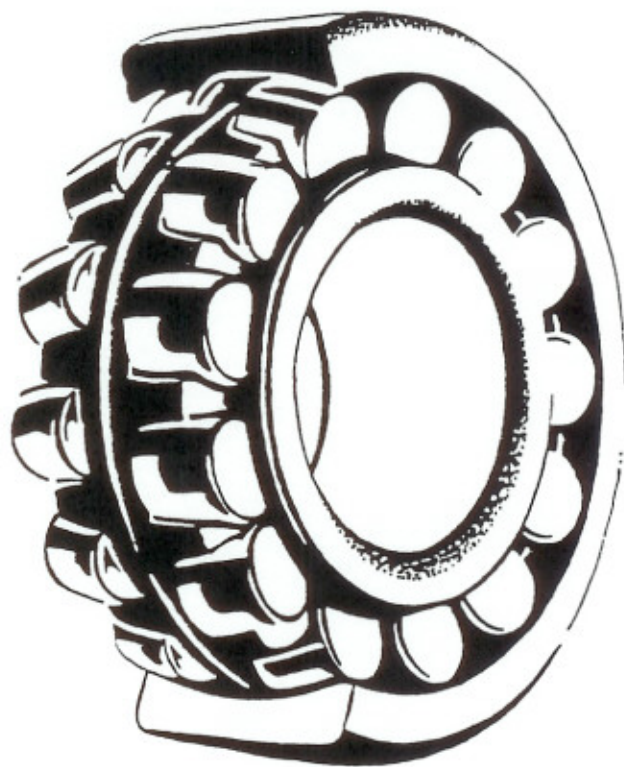
ERSATZTEILLISTE
SPARE PARTS LIST
LISTE DES PIECES DE RE -
CHANGE

VALID UP

SERIAL NO: 41.296

MACHINE:

H41E +45



E



COATING MACHINE H 41 E + H 45

Spare Parts List

Sketches 4-5937/4-5938/4-6174/4-6175/4-6221/4-6275
4-6291/4-6292/4-6293

Serial No 41.296

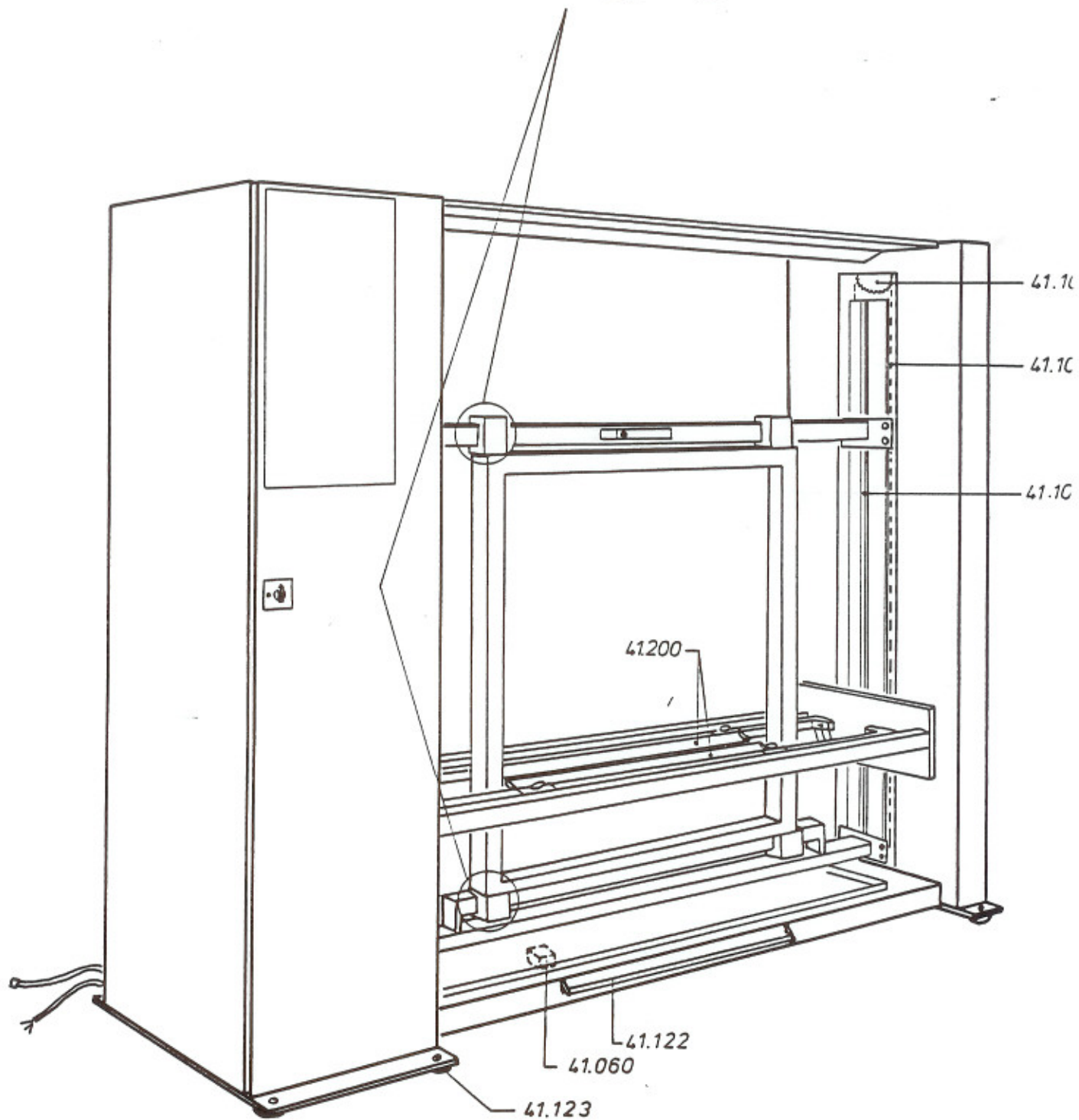
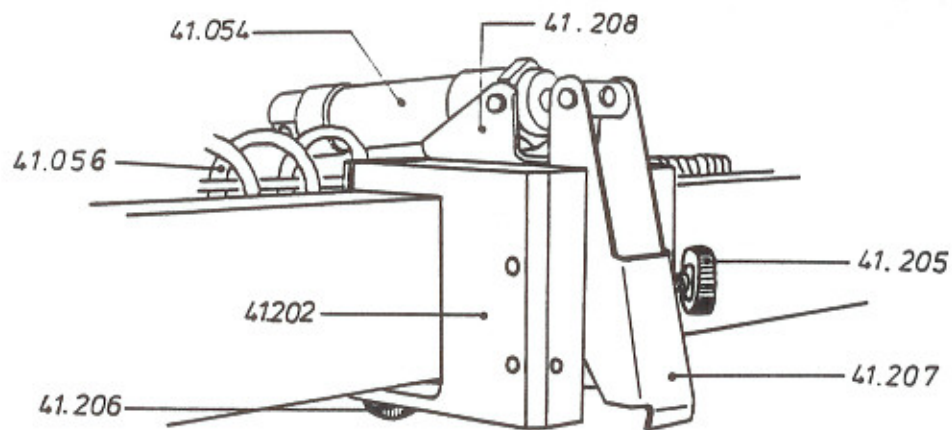
41.501 - pressure regulator
41.502 - manometer
41.503 - switch for speed control
41.504 - preselection counter
41.505 - print for preselection counter
41.506 -* push button
41.507 -* push button
41.508 -* push button
41.509 -* potentiometer
41.510 -* push button
41.511 -* push button
41.512 -* push button
41.513 -* push button
41.514 -* push button
41.515 - push button "emergency stop"
41.516 - main switch
41.517 -* pilot lamp 24 V 2 W
41.518 - main switch lockable (will be built-in after special recommenda-
tion by the clients)
41.022 - box for limit switches
41.023 - plug
41.024 - limit switch
41.025 - magnet
41.026 - signal buzzer
41.027 - selecontrol PLC complete
41.028 - EPROM program register
41.029 - mains supply circuit complete
41.030 - electromotor
41.031 - reducing gear
41.032 - condenser
41.033 - printed circuit card complete
41.534 - relay
41.037 - motor controlling device complete
41.038 - tachometer for 41.030
41.039 - brake for 41.030
41.040 - connecting block
41.045 - protective covering for cables
41.541 -* transformer
41.519 - fuse for mains supply circuit 41.029 2 Amp. F
41.520 - fuse for mains supply circuit 41.029 500 Amp. F
41.047 - fuse 6.3 Amp. T
41.048 - fuse 3.15 Amp. F
41.049 - fuse for motor controlling device 41.037 6,3 Amp. T
41.050 - pneumatic valve (without magnet)

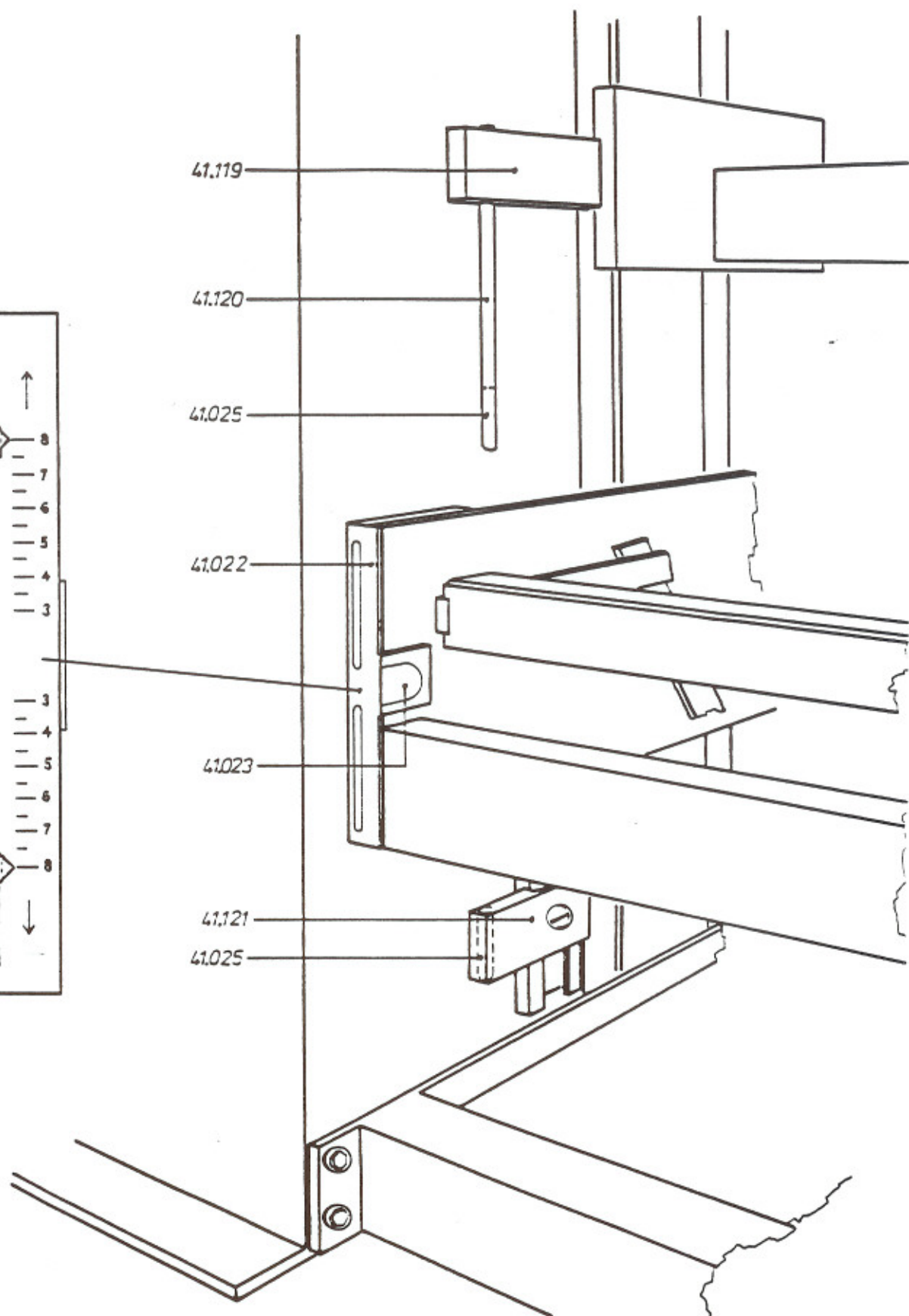
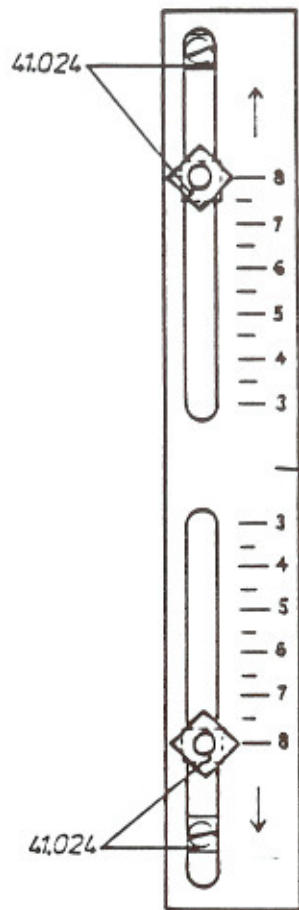
- 41.051 - magnet for pneumatic valve
- 41.052 - pneumatic cylinder 30 mm
- 41.053 - air tube
- 41.054 - pneumatic cylinder (for screen fixing device) 30 mm
- 41.055 - guidance
- 41.056 - spiral pneumatic tube
- 41.057 - choker valve
- 41.058 - perspiration collector
- 41.059 - T connection piece
- 41.060 - pneumatic valve
- 41.097 - guidance
- 41.098 - drop safety device
- 41.099 - slipping clutch
- 41.100 - pinion
- 41.101 - chain
- 41.102 - pinion
- 41.103 - nylon-guidance
- 41.104 - rack
- 41.105 - chain (indicate machine dimensions)
- 41.106 - locking lever
- 41.107 - toothed wheel
- 41.108 - shaft
- 41.109 - toothed wheel
- 41.110 - ball-bearings
- 41.111 - ball-bearings (concave)
- 41.119 - limit switch position above
- 41.120 - limit switch position extension
- 41.121 - limit switch position below
- 41.122 - bow
- 41.123 - screw feet
- 41.124 - pneumatic cylinder 50 mm
- 41.200 - squeegee (indicate screen frame inside dimensions)
- 41.202 - holding block above and below
- 41.205 - locking screw
- 41.206 - locking screw for holding block
- 41.207 - holding bow
- 41.208 - bearing plate
- 41.211 - quick-action holding block + 200 cm squeegee width
- 41.212 - holding bow for squeegee end + 200 cm squeegee width
- 41.213 - handwheel (only for machines + 160 cm screen height)
- 41.214 - chain (indicate machine dimensions)
- 41.216 - worm wheel gear
- 41.217 - chain joint
- 41.218 - feet-switch

* will be built-in only in case of external voltage

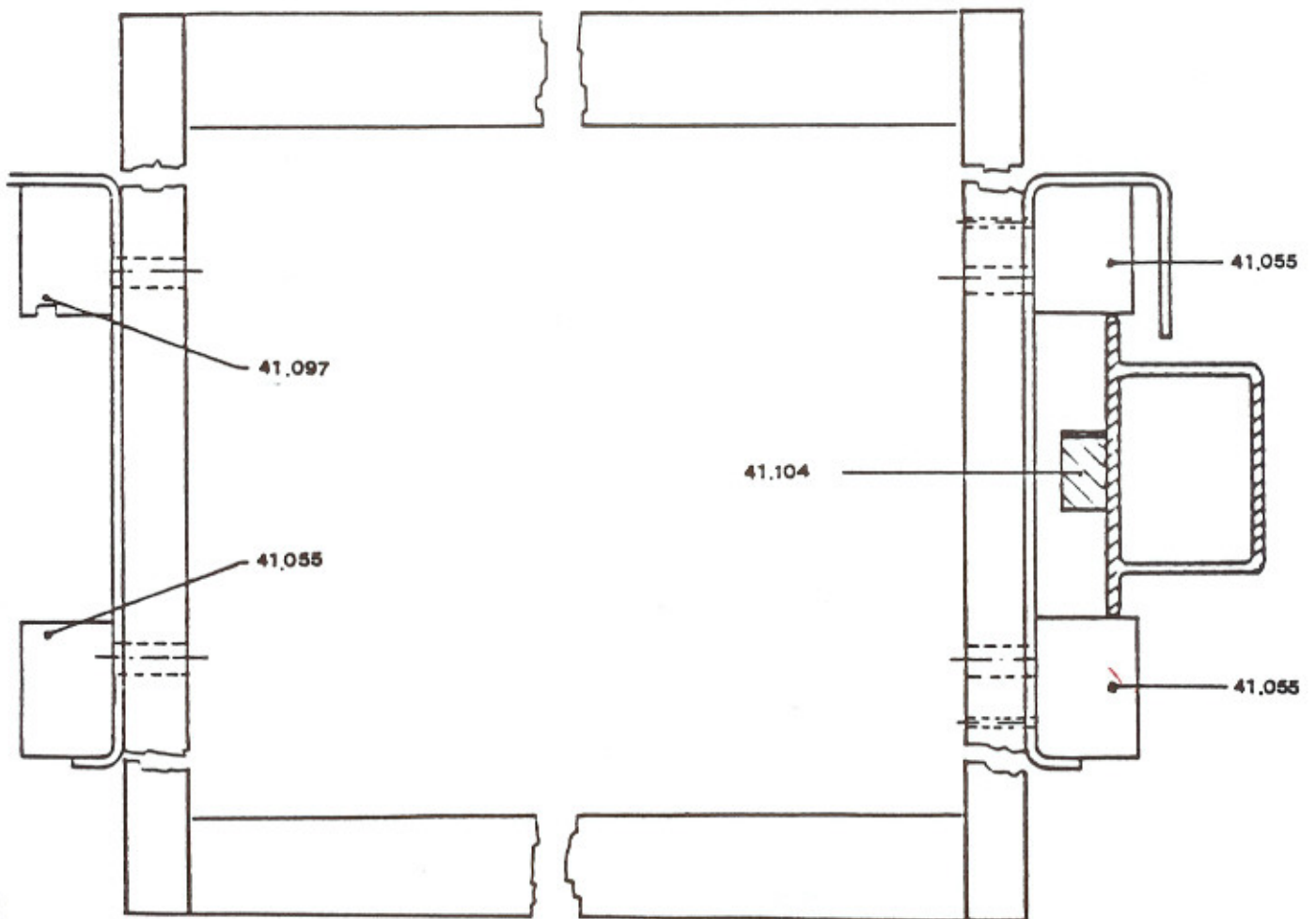
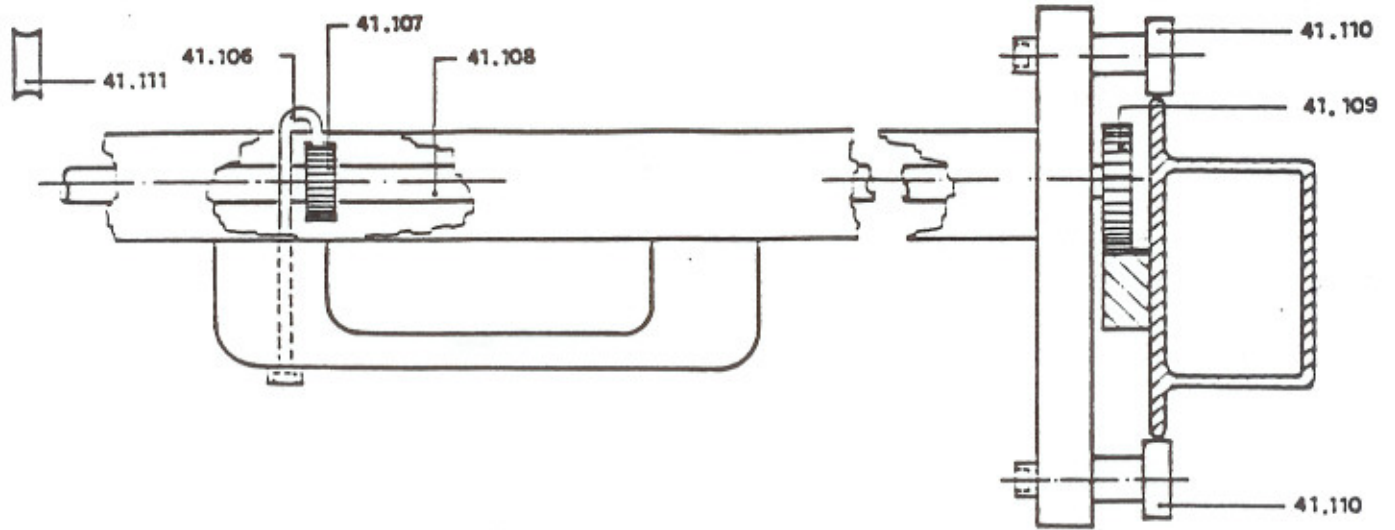
FOR SPARE PARTS ORDERS PLEASE INDICATE SERIAL NUMBER.

Rudolfstetten. 12. August 1987 JMS
ETH41E.296

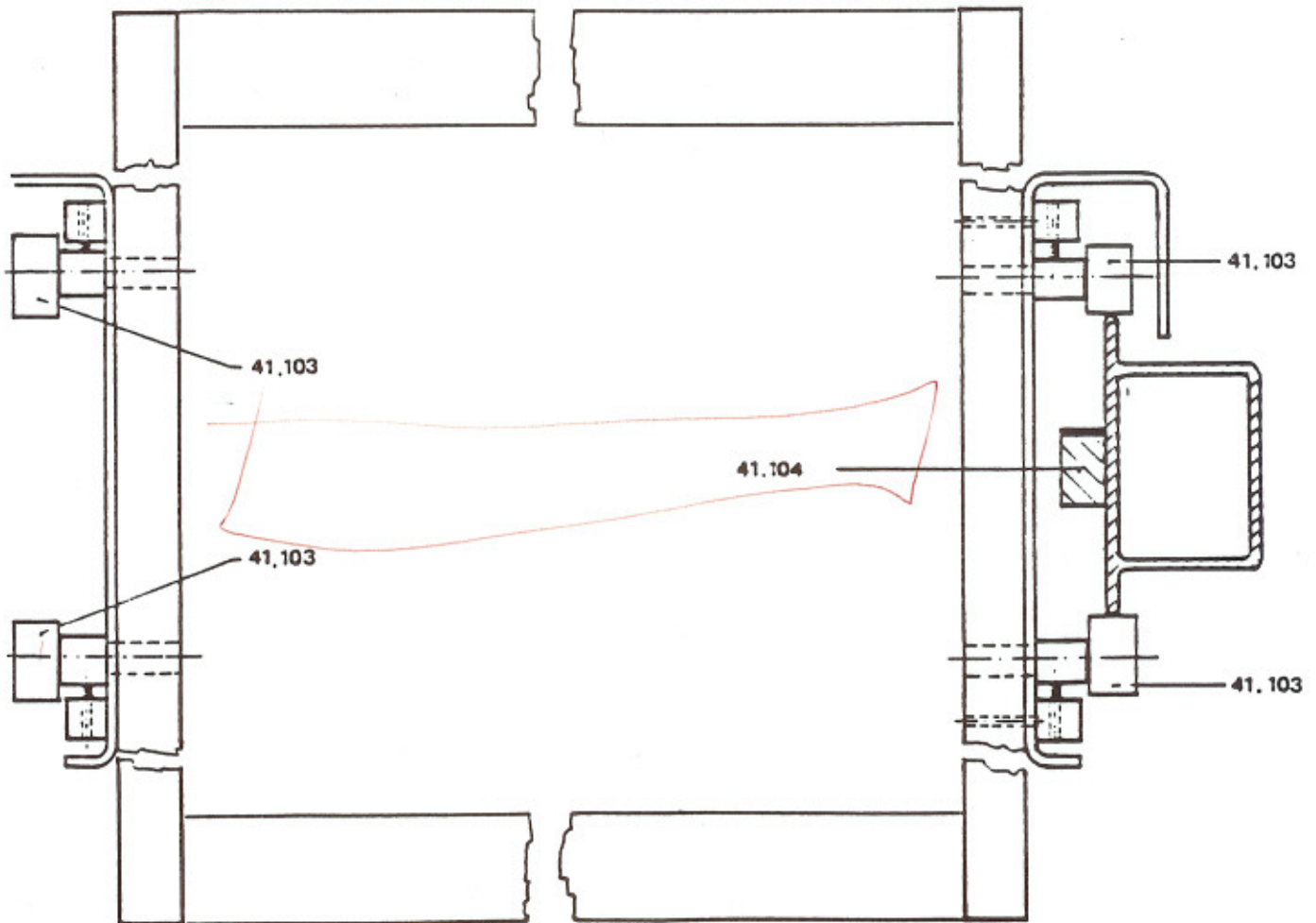
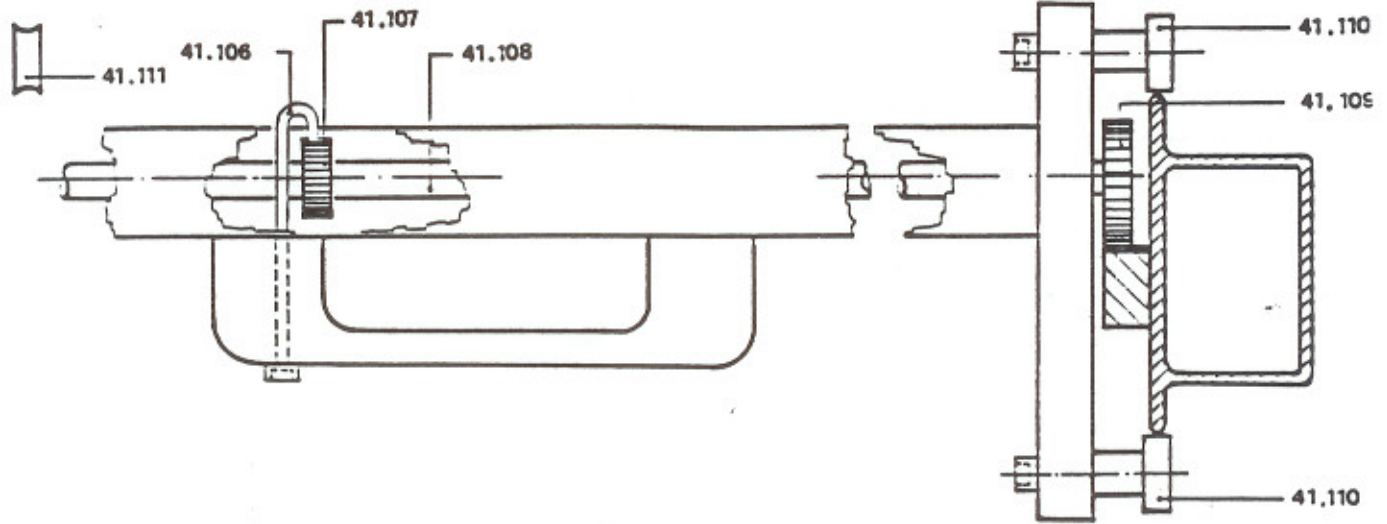


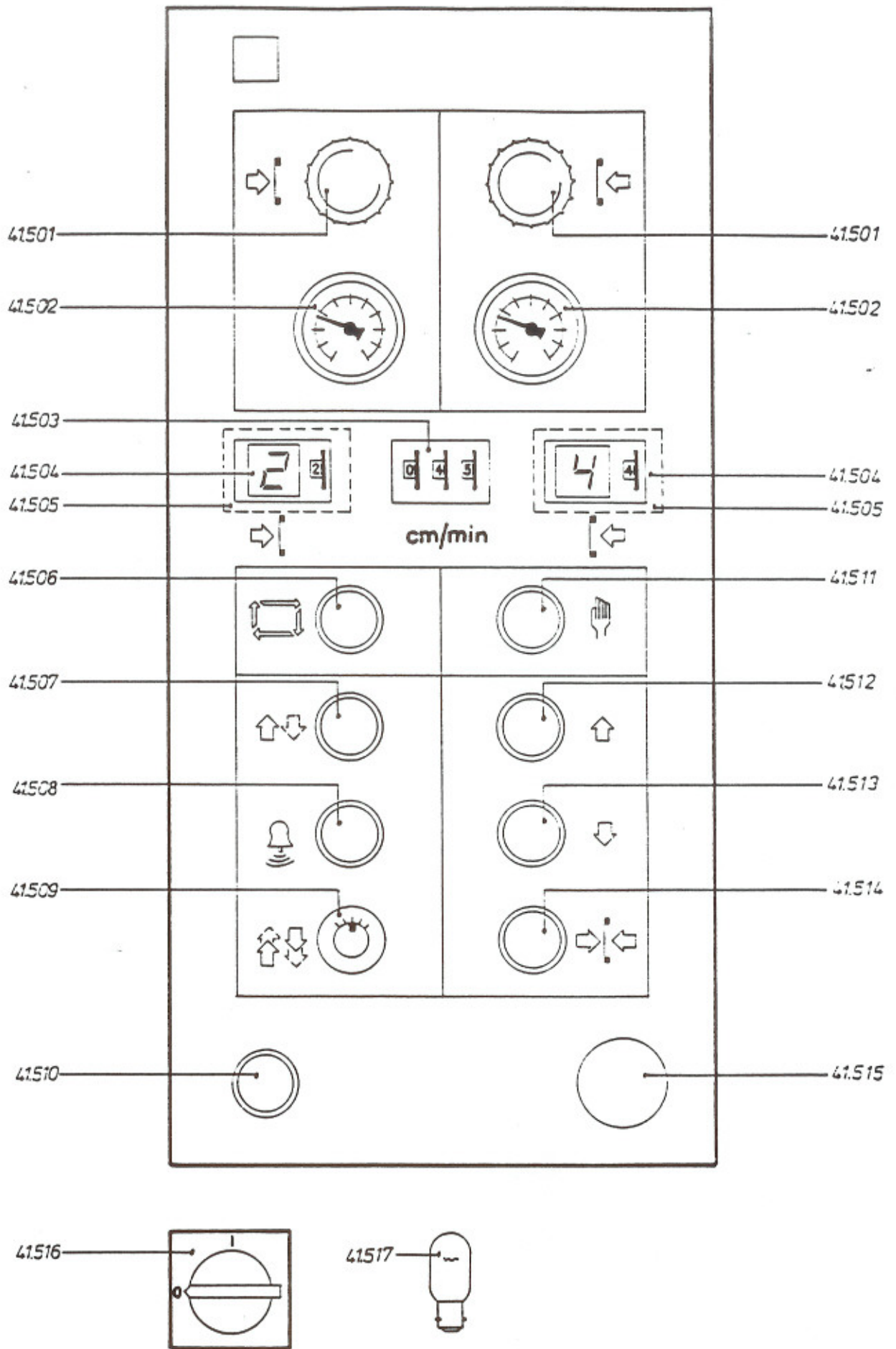


H 41/45



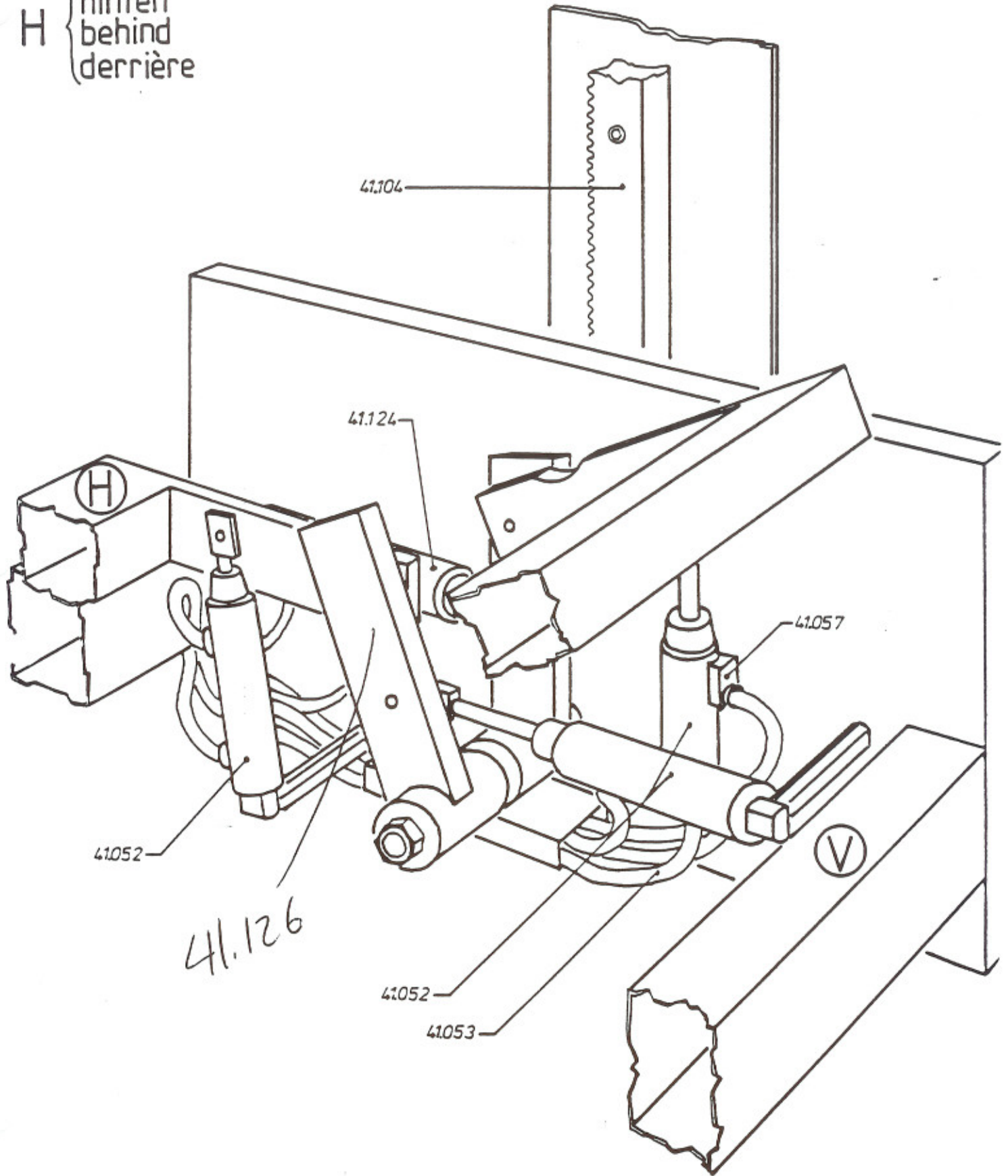
H 41/45





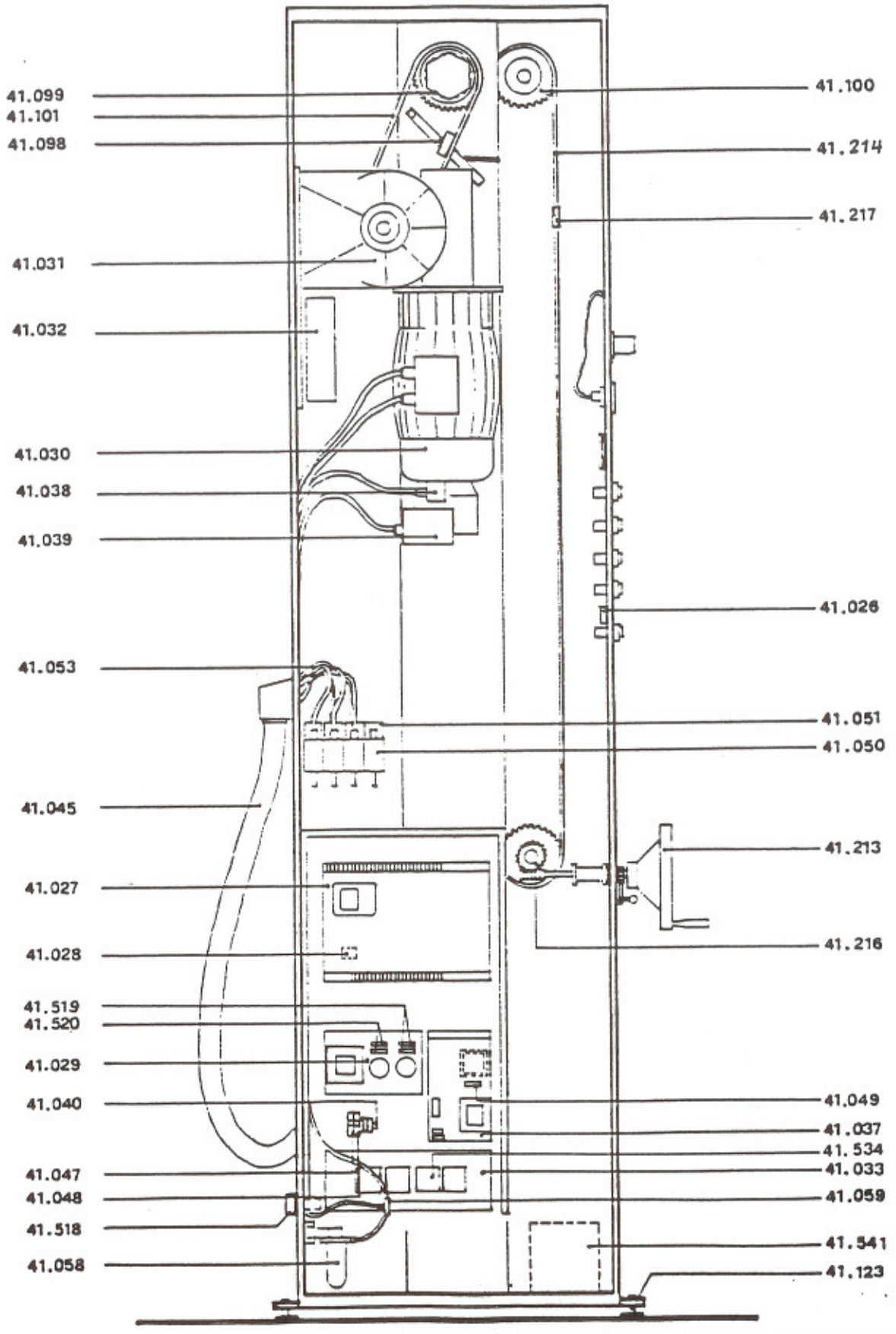
V { vorn
front
devant

H { hinten
behind
derrière



H41/45





H41 / 1.5



