

FROM S/N 41,032

HARLACHER AG
GARTENSTRASSE 7 8902 URDORF ZH SCHWEIZ
TEL. 01/734 00 88 TELEX: 53510 TELEGRAMM: HARLASCREEN

ATTN: MR MAY

COATING MACHINE H 41 + H 45
=====

SPARE PARTS LIST

(sketches 4-5633L, 4-5634, 4-5635, 4-5797,
4-5863, 4-5864, 4-5865, 4-5866)

- 41.001 manometer for back squeegee
- 41.002 manometer for front squeegee
- 41.003 pressure regulator for back squeegee
- 41.004 pressure regulator for front squeegee
- 41.005 switch for speed control
- 41.006 preselection switch
- 41.007 preselection switch
- 41.008 turn switch 2-step
- 41.009 turn switch 2-step
- 41.010 turn switch 3-step
- 41.011 turn switch 3-step
- 41.012 fuse
- 41.013 press switch
- 41.014 press switch
- 41.015 press switch
- 41.016 ON/OFF switch (flip switch)
- 41.017 START-switch
- 41.018 STOP-switch
- 41.019 main switch

- 41.030 electromotor
- 41.031 reducing gear

- 41.034 relays
- 41.035 switching-off slow-acting relay (blue)
- 41.036 switching-on slow-acting relay (orange)
- 41.037 motor controlling device complete
- 41.038 rectifier
- 41.039 bell
- 41.040 connecting block

P.1

(Coating Machine H 41 + H 45 - Spare Parts List)

41.041 transformer
41.042 ON/OFF switch for bell (flip switch)
41.043 box for limit switches complete
41.044 limit switch
41.045 protective covering
41.046 diodes (2 pcs.)
41.047 fuse 10 amp.
41.048 fuse 2 amp.

41.050 pneumatic valve (without magnet)
41.051 magnet for pneumatic valve
41.052 pneumatic cylinder
41.053 air tube
41.054 pneumatic cylinder (for screen fixing device)
41.055 pneumatic foot pedal
41.056 spiral pneumatic tube
41.057 choker valve

41.100 pinion
41.101 chain
41.102 pinion
41.103 screw feet (only for machines up to 120 cm screen height and model H 45)
41.104 rack
41.105 chain
41.106 locking lever
41.107 toothed wheel
41.108 shaft
41.109 toothed wheel
41.110 ball-bearing
41.111 ball-bearing (concave)
41.112 pinion
41.113 connecting shaft
41.114 upper reversing block
41.115 lower reversing block
41.116 synthetic block above
41.117 synthetic block below
41.118 spring

2

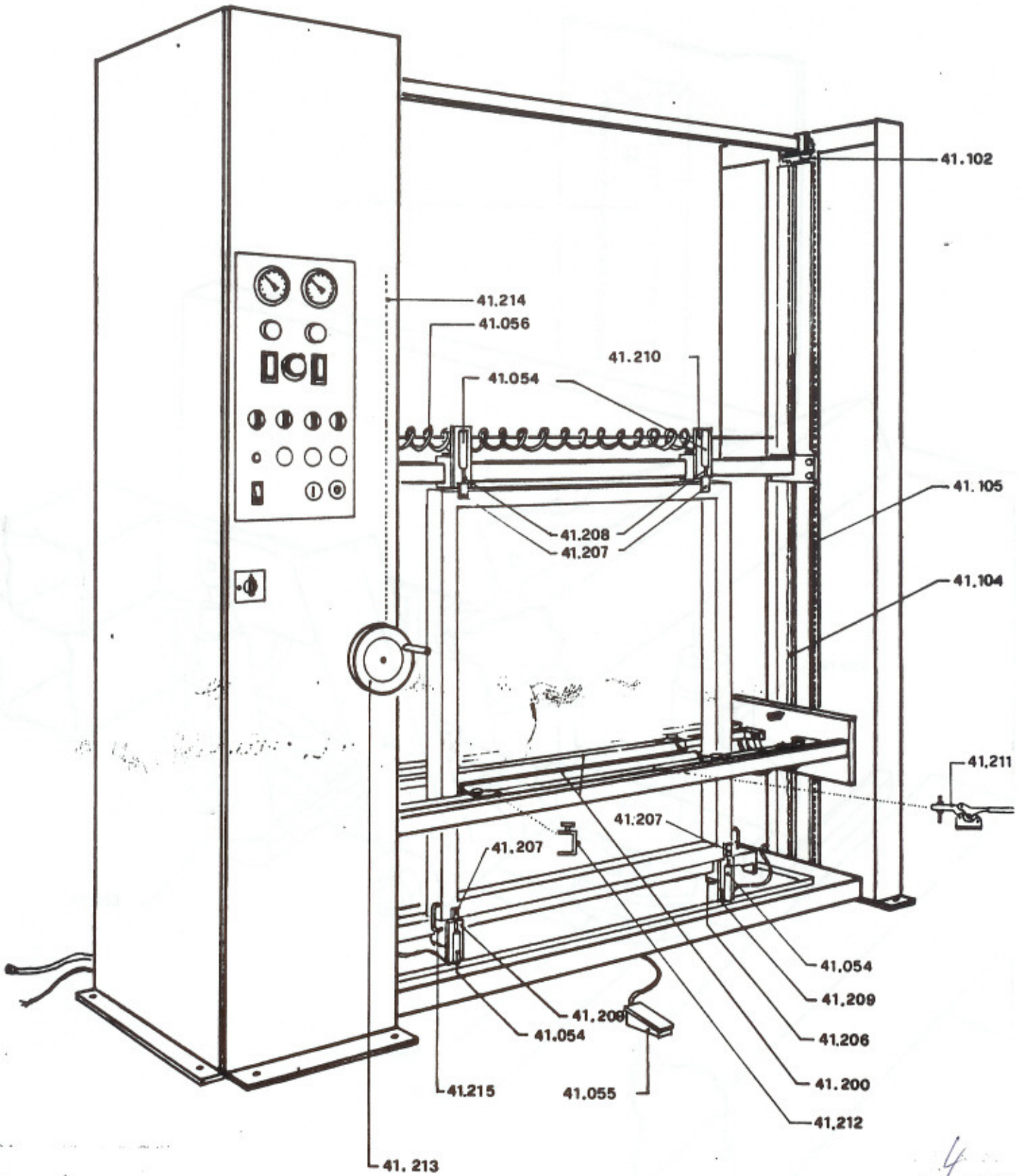
(Coating Machine H 41 + H 45 - Spare Parts List)

- 41.200 squeegee (indicate screen inside dimension)
- 41.201 squeegee holding device
- 41.202 upper holding block
- 41.203 lower holding block at the left
- 41.204 lower holding block at the right
- 41.205 locking screw
- 41.206 locking screw for holding block
- 41.207 clamping plate
- 41.208 set of bolts
- 41.209 lower screen holding block) complete, but without
- 41.210 upper screen holding block) cylinder
- 41.211 quick-action clamping device) from 200 cm squeegee width
- 41.212 holding bow for squeegee end)
- 41.213 handwheel
- 41.214 chain
- 41.215 bow at lower holding block

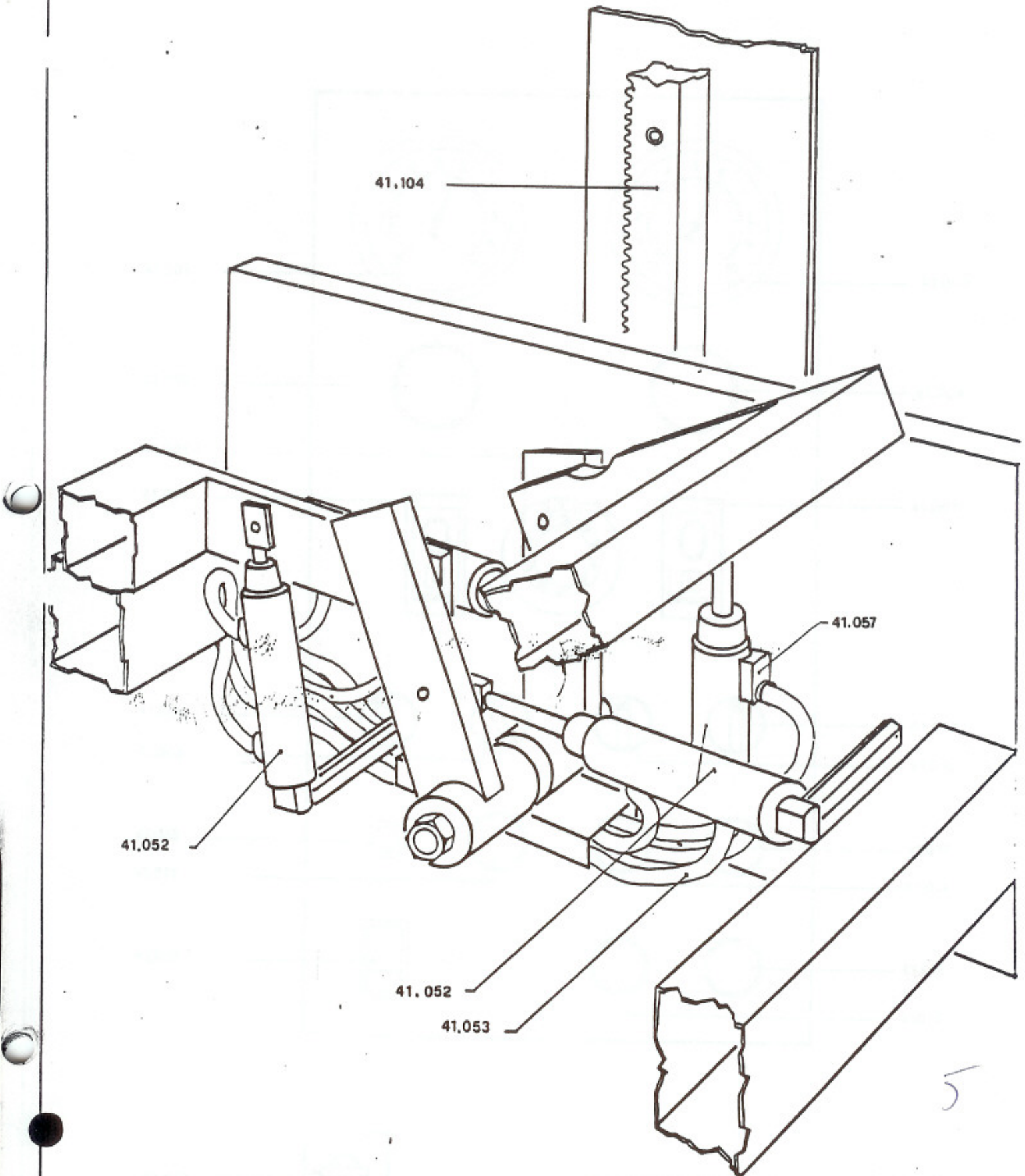
For spare parts orders please indicate serial number!

valid as from serial No. 41.032

H41_L

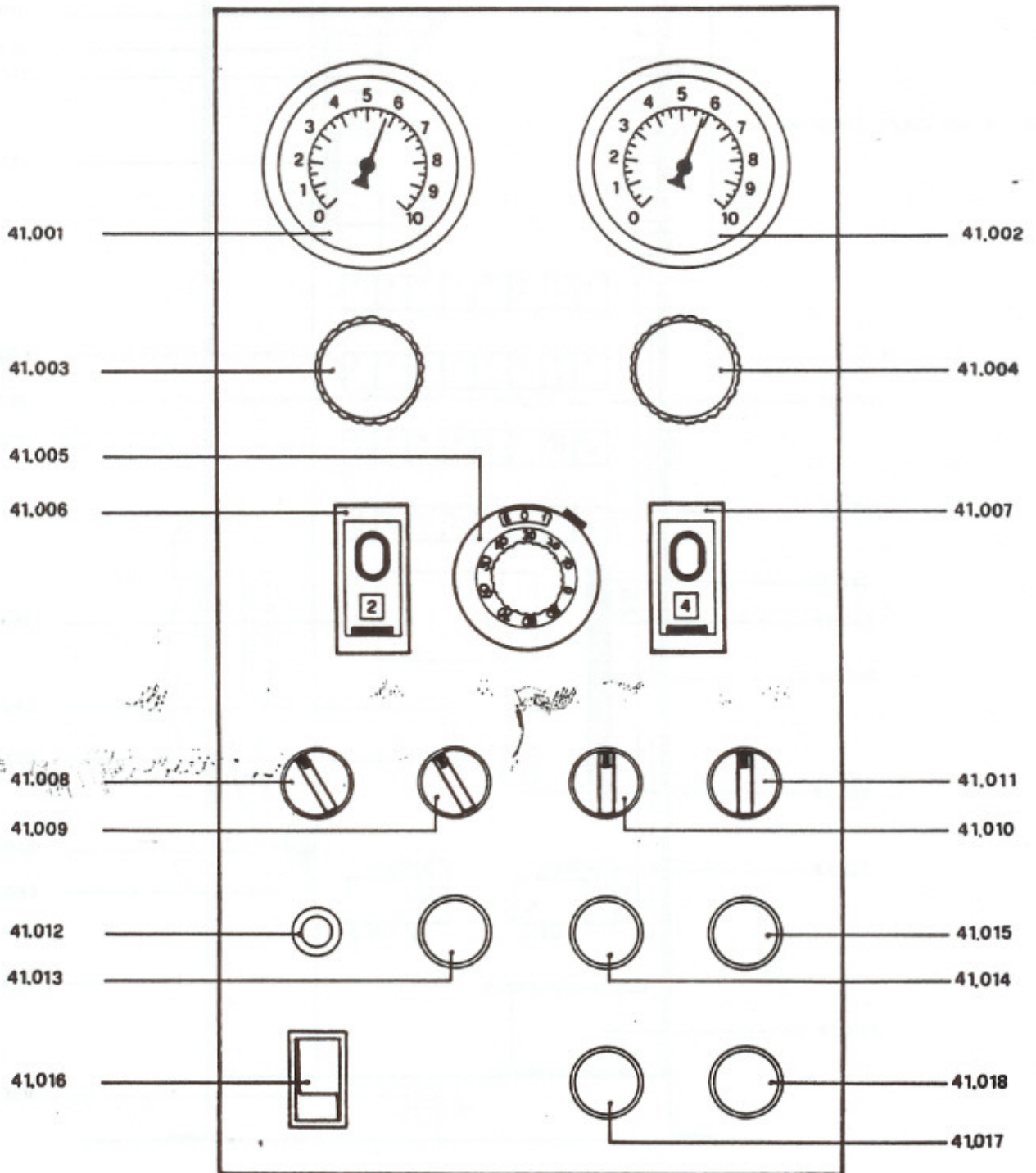


H 41/45

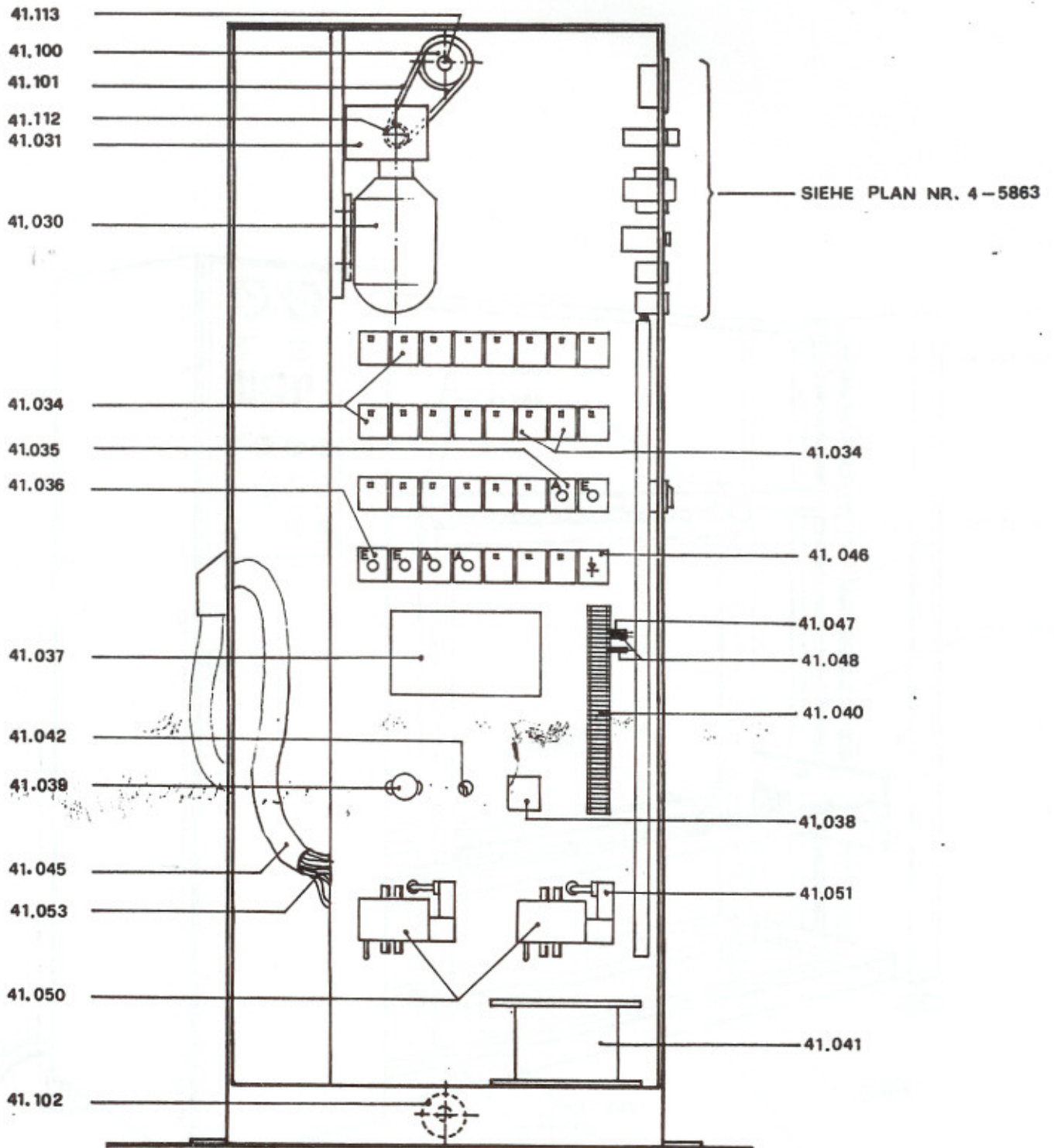


H 41

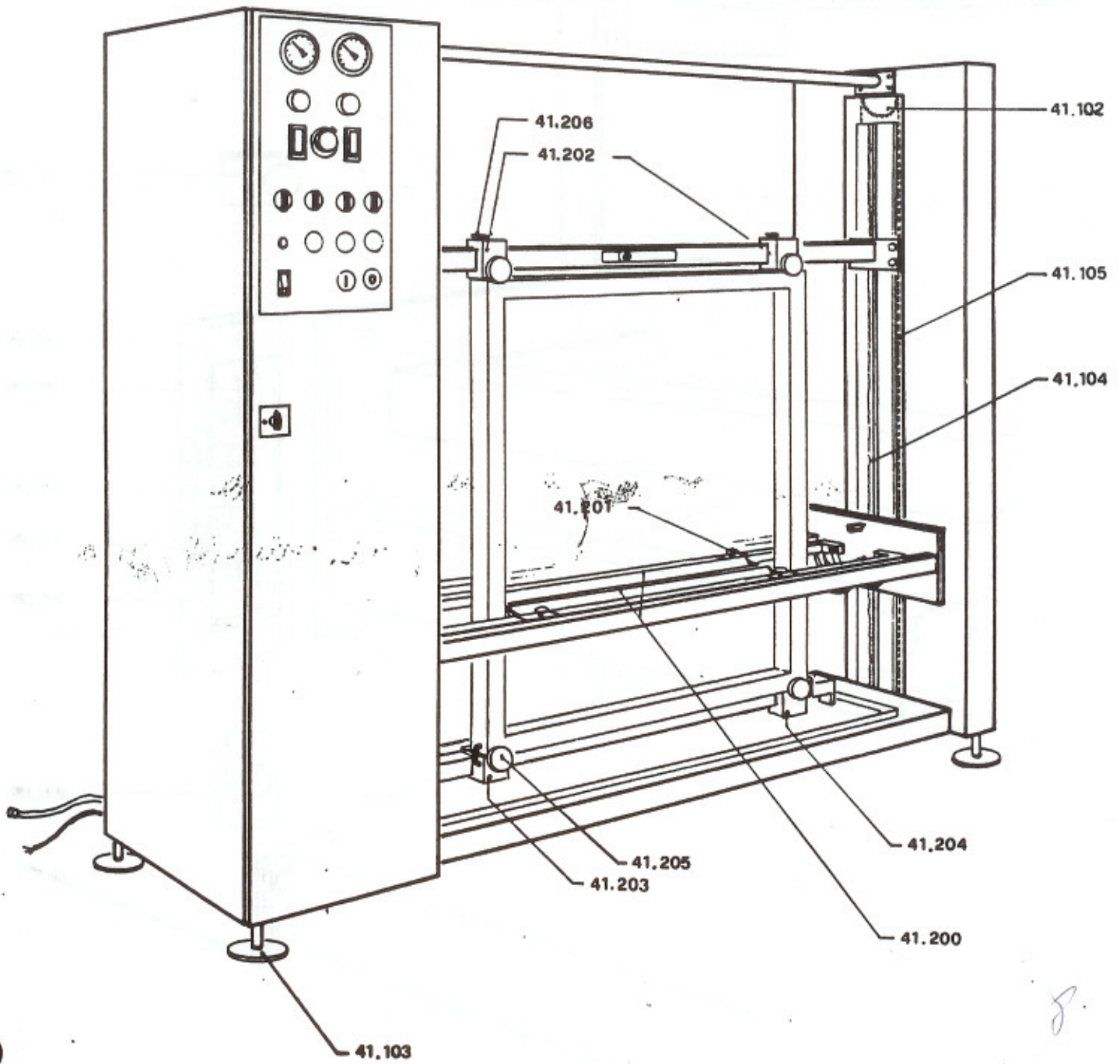
H 45



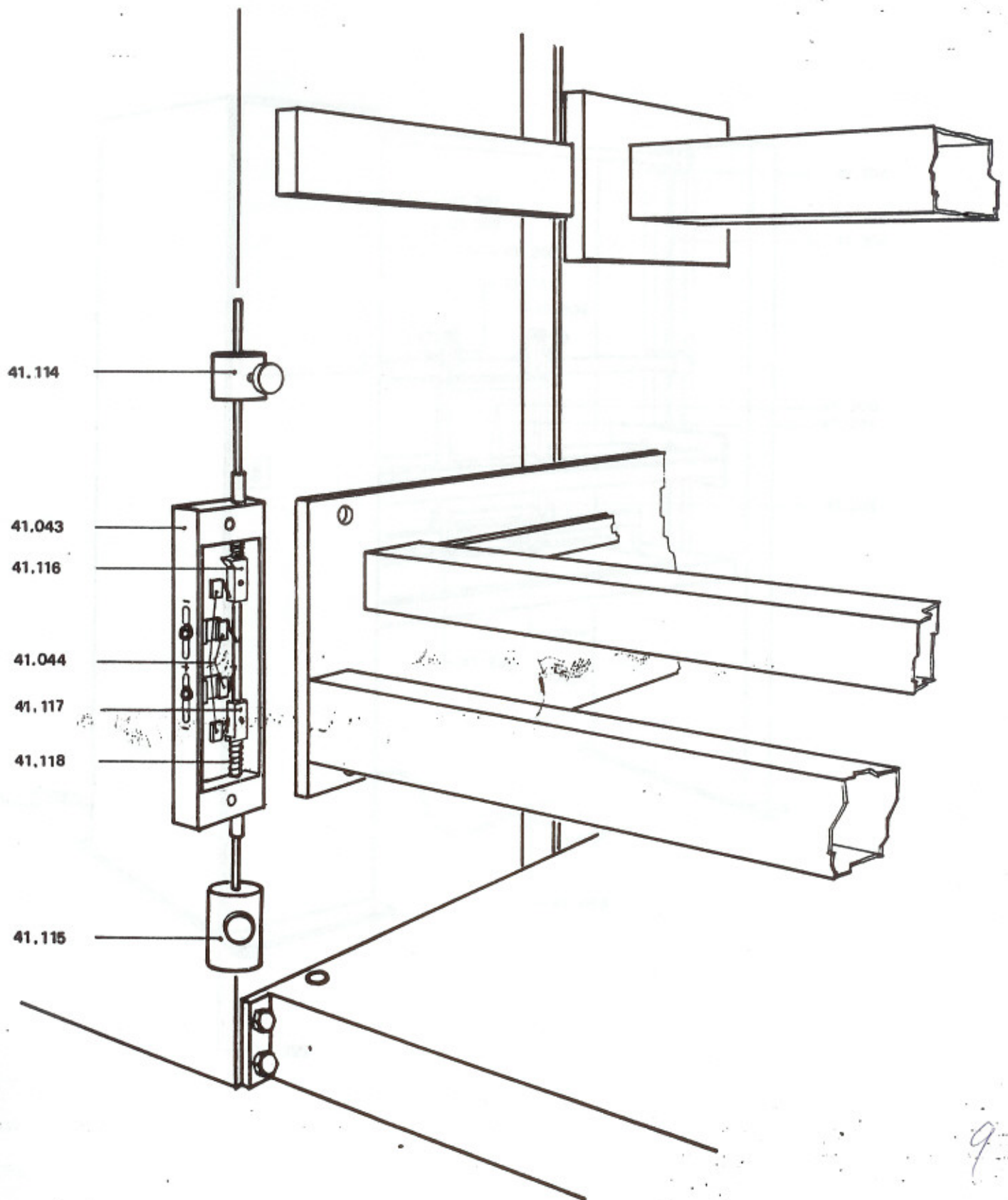
H 41 H 45



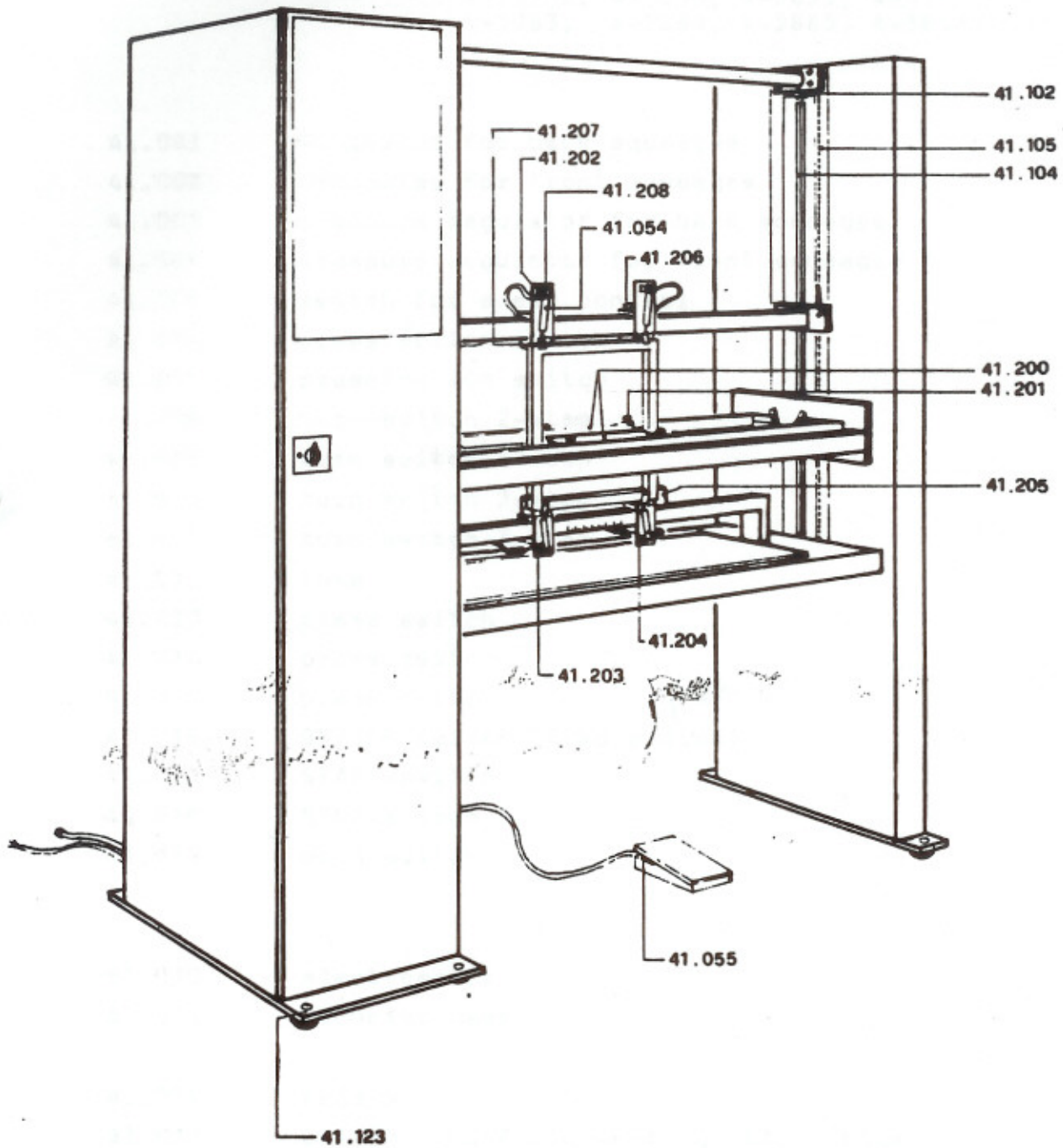
H41



H 41/45



H 45



DATUM: 26 8.83

ZCHB. NR. 4-5866