

ERSATZTEILLISTE

SPARE PARTS LIST

**LISTE DES PIECES DE RE -
CHANGE**

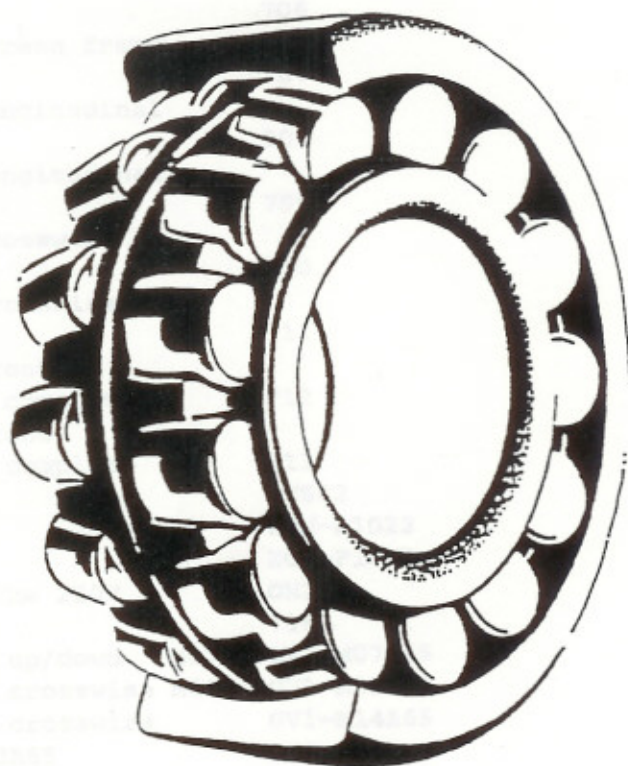


VALID FROM

SERIAL NO: 28.185

MACHINE:

H 28 S4



Textildruckschablonen
Filmherstellung
Schablonen-Gravuranlagen
Maschinen



Manacher AG
D-8904 Rudolfsstetten
Grasmatzstrasse 25
Telefon 057 33 83 66

GAUZE - STRETCHING H 28 S-4

Valid for Serial no. 28.185

with sketches Nr. 4-6549, 4-6550, 4-6551, 4-6552, 4-6553, 4-6554,
Nr. 4-6555, 4-6556, 4-6557

28.700	main switch	700
28.701	control lamp green complete	701
28.701A	lamp 24V for 28.701	701A
28.702	IR remote control	702
28.702A	battery 9V for remote control	702A
28.703	turn switch speed complete	703
28.704	potentiometer slow speed	704
28.704A	knob for potentiometer	704A
28.705	potentiometer high speed	705
28.705	knob for potentiometer	705A
28.706	press switch blue for screen frame contact complete	706
28.707	press switch blue for screen frame lowering complete	707
28.708	press switch blue for longitudinal stretching complete	708
28.709	press switch blue for longitudinal detachment complete	709
28.710	press switch blue for crosswise stretching complete	710
28.711	press switch blue for crosswise stretching complete	711
28.712	press switch blue for front longitudinal stretching complete	712
28.713	press switch blue for front longitudinal detachment complete	713
28.714	IR pre-amplifier	VV542
28.715	limit switch	XCM-A1023
28.715A	limit switch	XCM-F1022
28.716	frequency converter 2.2 kw 220V	OM210
28.716A	brake module 250W	716A
28.717A	protective motor switch up/down M07	GV1-M07A65
28.717B	protective motor switch crosswise M08	GV1-M08A65
28.717C	protective motor switch crosswise	GV1-M14A65
28.719	contactor 24VDC LP1-D123A65	719
28.720	contactor 24VDC LP1-D129A65	720
28.721	fuse 20AT	721
28.722	fuse 1AT	722
28.722A	fuse 2AT	722A
28.723	binding posts 2UK	723
28.724	relay with socket 2UK	724
28.726	IR pc-board receiver complete	EM742
28.727	D-SUB socket board 25Pol	727

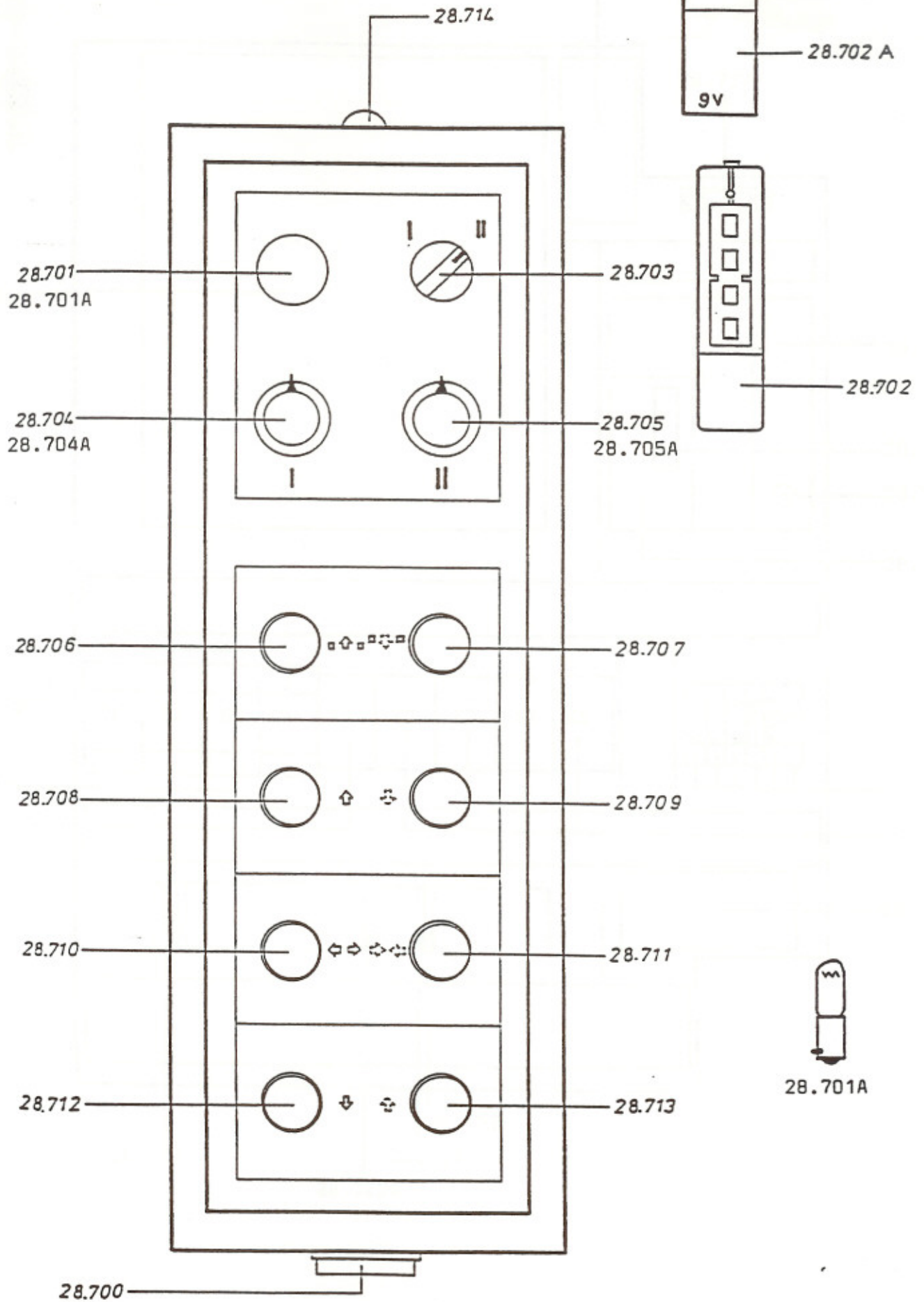
28.730	SPS Selectr. PMC21A without ROM	730
28.730A	EEPROM cassette ROM 23	730A
28.730B	software	730B
28.731	power supply 24VDC PSM20	731
28.735	solenoid 220V for clutch	735
28.738	bearing UCP206 for clutch	UCP206
28.739	clutch unit back stretching	739
28.740	motor for crosswise stretching 2.2 kw	KMER100L-4
28.741	gear UU22 70:1	UU22
28.743	gear UU17 70:1	UU17
28.744A	motor for slow back stretching 1.5 kw	KMER90L-4
28.744B	motor for front stretching 0.37 kw	KMER90S-8
28.744C	motor for fast back stretching 0.37 kw	KMER90S-8
28.745	gear UU17 20:1	UU17
28.746	motor lift off 0.37 kw	KMER71G-4
28.748	V-belt pulley D060-1 (table)	ALU
28.749	V-belt pulley D180-1 (table)	ALU
28.750	chain wheel for gear UU22 (stretching crosswise)	Z25
28.751	chain wheel to UU17 (back stretching)	Z12
28.752	V-belt pulley D180-1 (back stretching)	ALU
28.752A	V-belt pulley D180-1 (special)	ALU
28.752B	V-belt pulley D060-1 (back stretching)	ALU
28.754	V-belt pulley D060-1 (front stretching)	ALU
28.755	V-belt pulley D180-1 (front stretching)	ALU
28.756	chain wheel to UU17 (front stretching)	Z18
28.757	flex coupler to UU22	757
28.758	V-belt lift off Z10x6x850 mm	758
28.759	V-belt back stretching Z10x6x850 mm	759
28.760	V-belt front stretching Z10x6x850 mm	760
28.761	chain front stretching 08B-1 1/2"	761
28.762	chain back stretching 08B-1 1/2"	762
28.763	duplex chain crosswise stretching 08B-2 1/2"	763
28.764	spindle lift off	764
28.765	spindle nut lift off	765
28.766	pedestal bearing	UCP204N
28.767	cross tensioning spindle cover	767
28.768L	cross tensioning sledge left	768L
28.768R	cross tensioning sledge right	768R
28.769	spindle lift off 30 mm V2A	769
28.771L	cross tensioning spindle left	M30-L
28.771R	cross tensioning spindle right	M30-R
28.772	axial bearing lift off	772
28.773L	spindle left	773L
28.773R	spindle right	773R
28.774	sliding sleeve	774
28.775	needle bearing DKNJ-15/20	DKNJ-15/20
28.776	pulling bolt for chain tensioning	776
28.776A	bushing POM	776A
28.777	clamp carriage guiding rail for tensioning backward	777
28.778	round rod (indicate length)	778

28.779	glider for tensioning beam backward	779
28.780	carrier for tensioning beam backward	780
28.781	tensioning beam backward	781
28.782	deep groove ball bearings for tensioning beam backward	16005
28.783	chain joint 08B-1 1/2"	783
28.784	chain joint duplex 08B-1 1/2"	784
28.787	deep groove ball bearing for sliding sleeve	16008
28.788	spindle nut for front tensioning beam	788
28.789	chain for tensioning beam backward 08B-1 1/2"	789
28.790	chain pinion gear 1/2"	Z12
28.791	duplex chain pinion gear for cross spindle 1/2"	Z25
28.792	duplex chain pinion gear for detour 1/2"	Z25
28.793	reversing pinion gear 1/2"	Z12
28.794	bolt for reversing pinion gear	794
28.795	chain-adjuster	795
28.796	spindle for front beam	796
28.797	deep groove ball bearing for front spanning beam	6006ZZ
28.798	axial bearing for front tensioning bar	51206
28.799	chain for sliding sleeve tensioning backward 08B-1 1/2"	799
28.800	front clamp carriage guiding rail	800
28.801	cross clamp carriage guiding rail	801
28.803	guidance for tensioning beam backward	803
28.804	AC tube 100/60 lift off	804
28.805	rubber buffer	805
28.806	connecting rod	806
28.807	lever for lift off	807
28.809	bolt for connecting rod	809
28.810	U-profile 180/60 mm	810
28.811	adjustable foot screw M20 ROBO	811
28.812	holding down bar	812
28.813	tensioning screw for tensioning holder	813
28.814	tension eccentric quick lock	814
28.815	tube for screen frame tensioning unit	815
28.816	screen frame tensioning unit	816
28.817	tension holder	817
28.818	spring for tension holder	818
28.819	outer tube for tension holder	819
28.820	inner tube for tension holder	820
28.831	ball bearing 626ZZ	831
28.832	concave ball bearing	CONCAVE
28.833	clamp carriage handle red	833
28.834	chain bracket, small (6 pieces)	834
28.835	bracket, large	835
28.837	crosshead aluminium	837
28.839	crosshead (steel)	839
28.841	deep groove ball bearing 607	607

28.842	hexagon screw M 5 x 8 mm	842
28.844	hexagon screw M 5 x 14 mm	844
28.845	threaded bolt CE	845
28.846	lock nut M 5	846
28.847	hexagon screw M 5 x 30 mm	847
28.848	nut M 5	848
28.849	saddle	849
28.851-15/5	pressing lever 15 cm	851-15/5
28.852/5	synthetic profile diam. 8 mm	852/5
28.853-15N/5	synthetic profile 15 cm	853-15N/5
28.854/5	back clamp carriage on cross beams complete 15 cm	854/5
28.855/5	clamp carriage 15 cm complete	855/5
28.856/5	clamp carriage 30 cm complete	856/5
28.857	V-belt 10 x 6 x 1160 mm	857

Rudolfstetten, January 1992

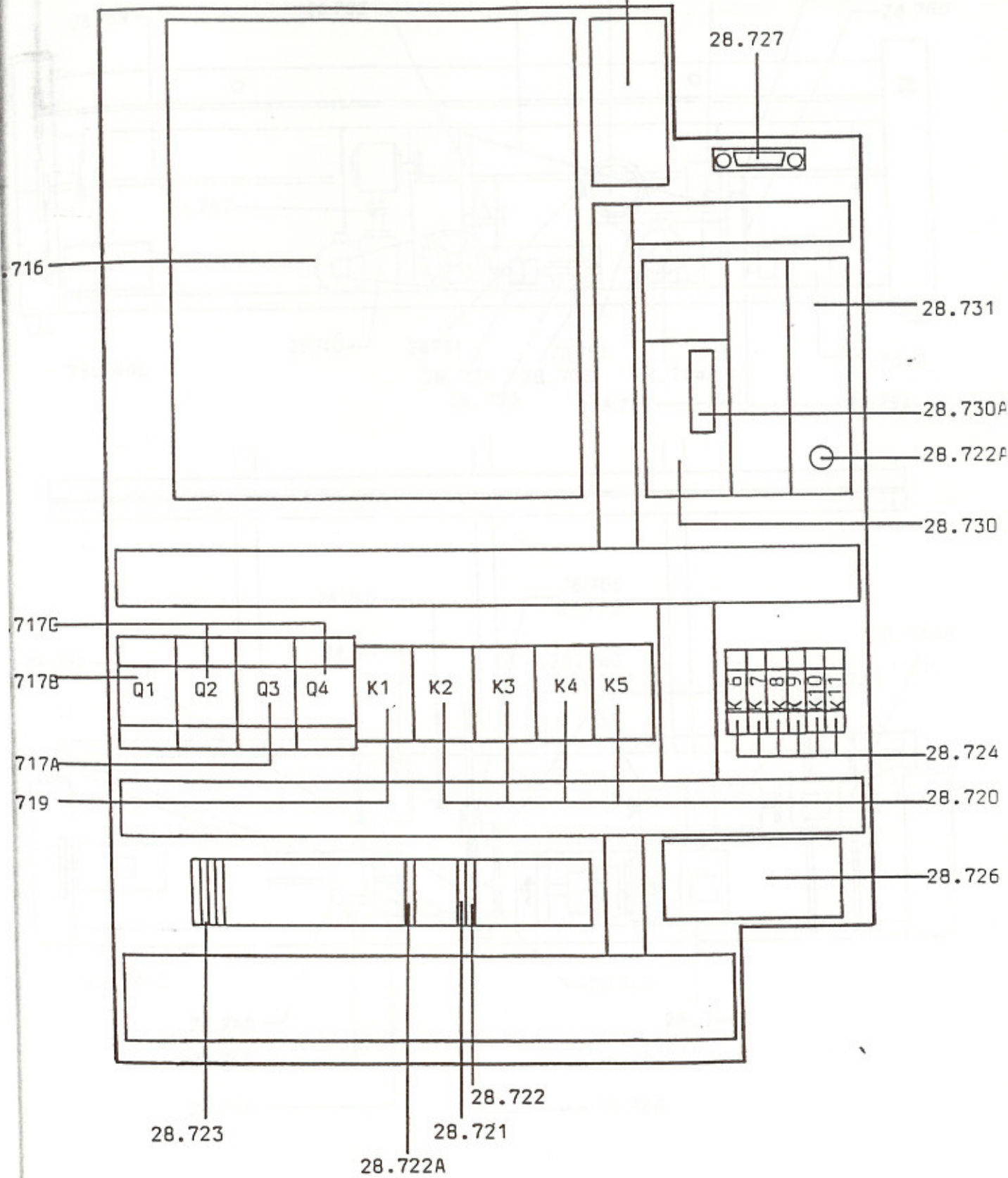
EEH28S4 yl



H 28 P

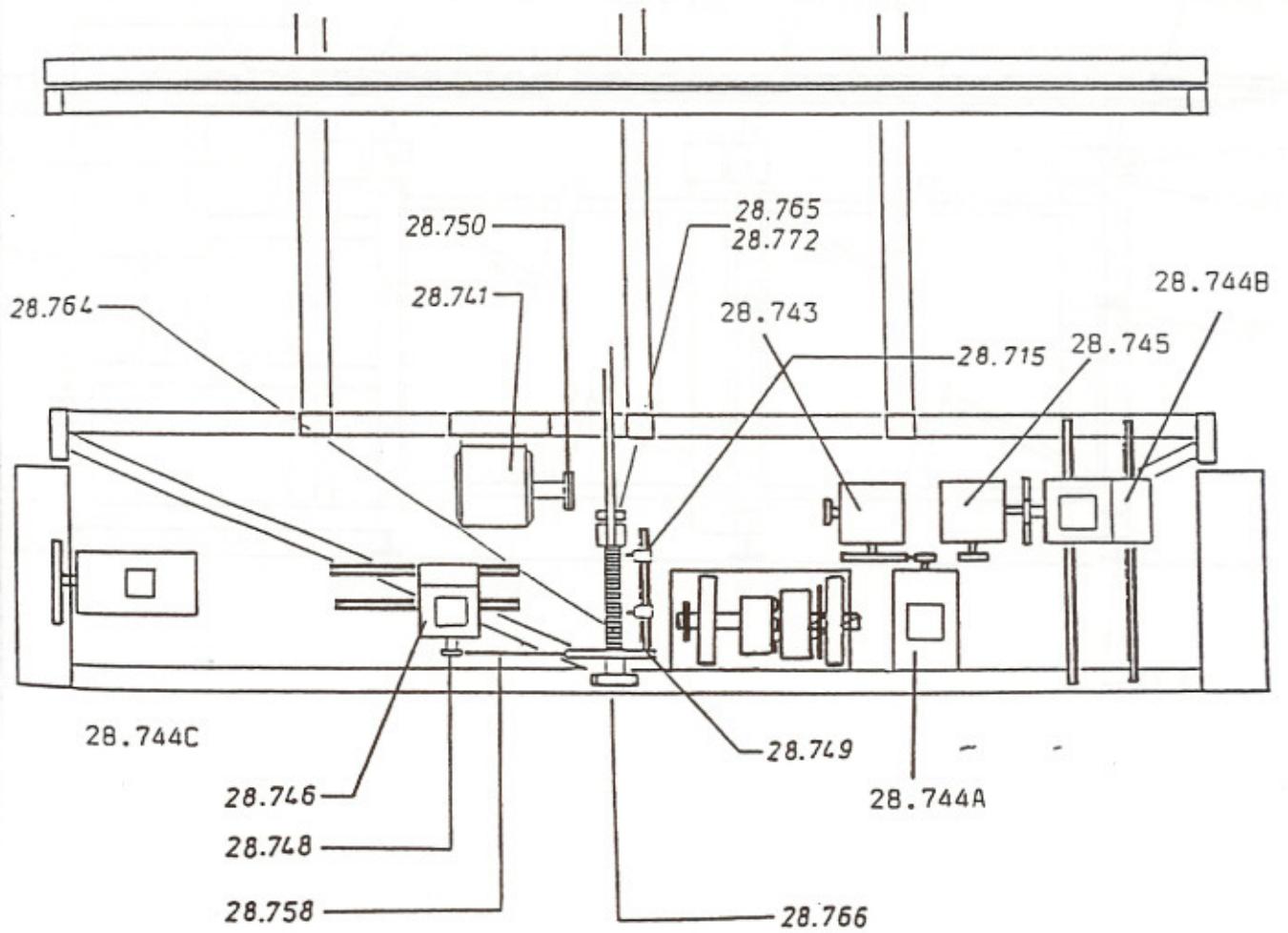
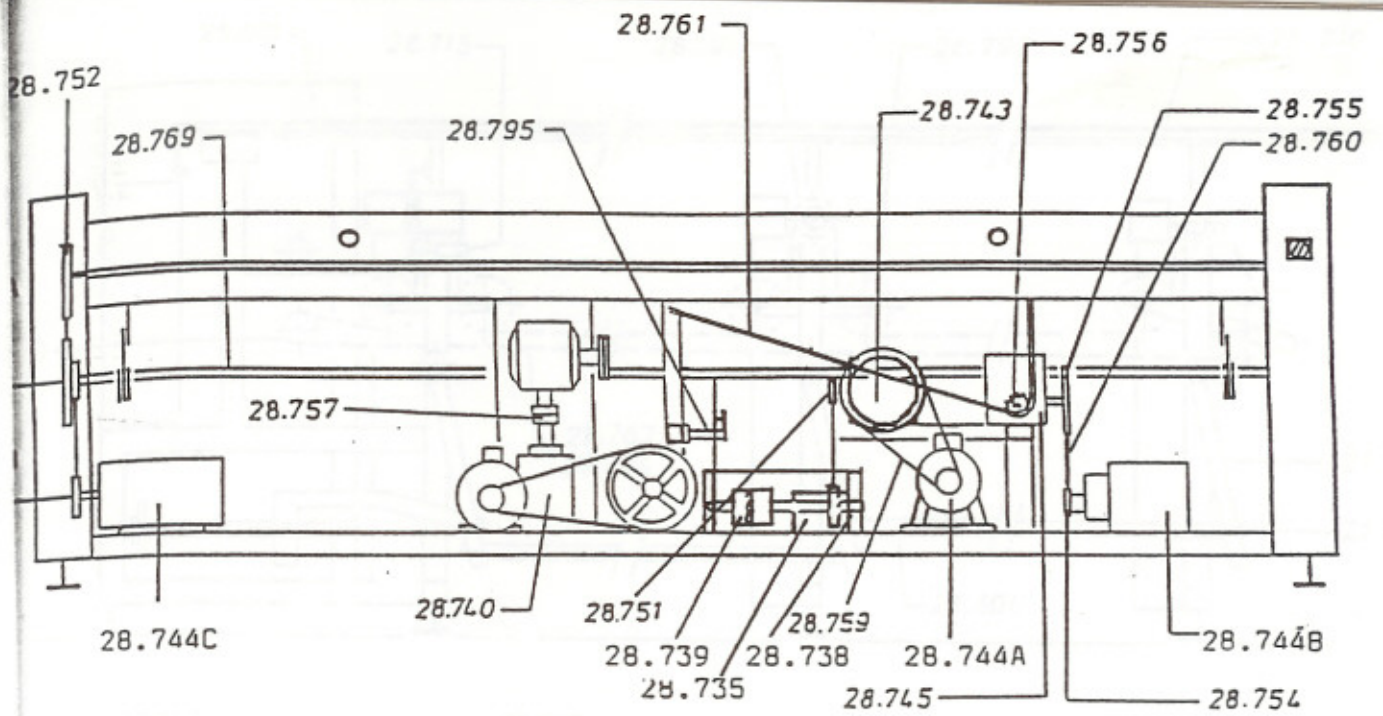
DATUM : 9.6.88
ZCHG. NR. : 4-6549





H 28 P

4-6550

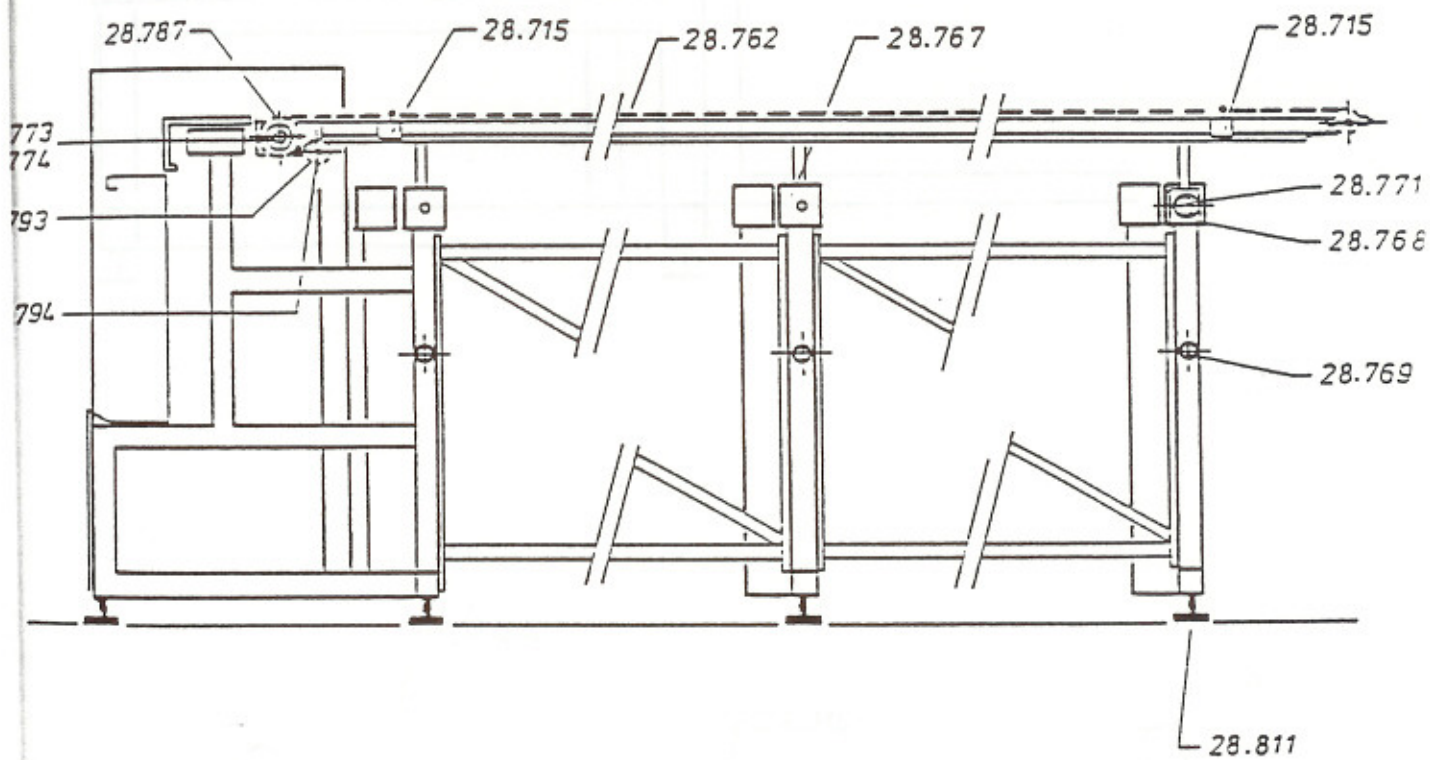
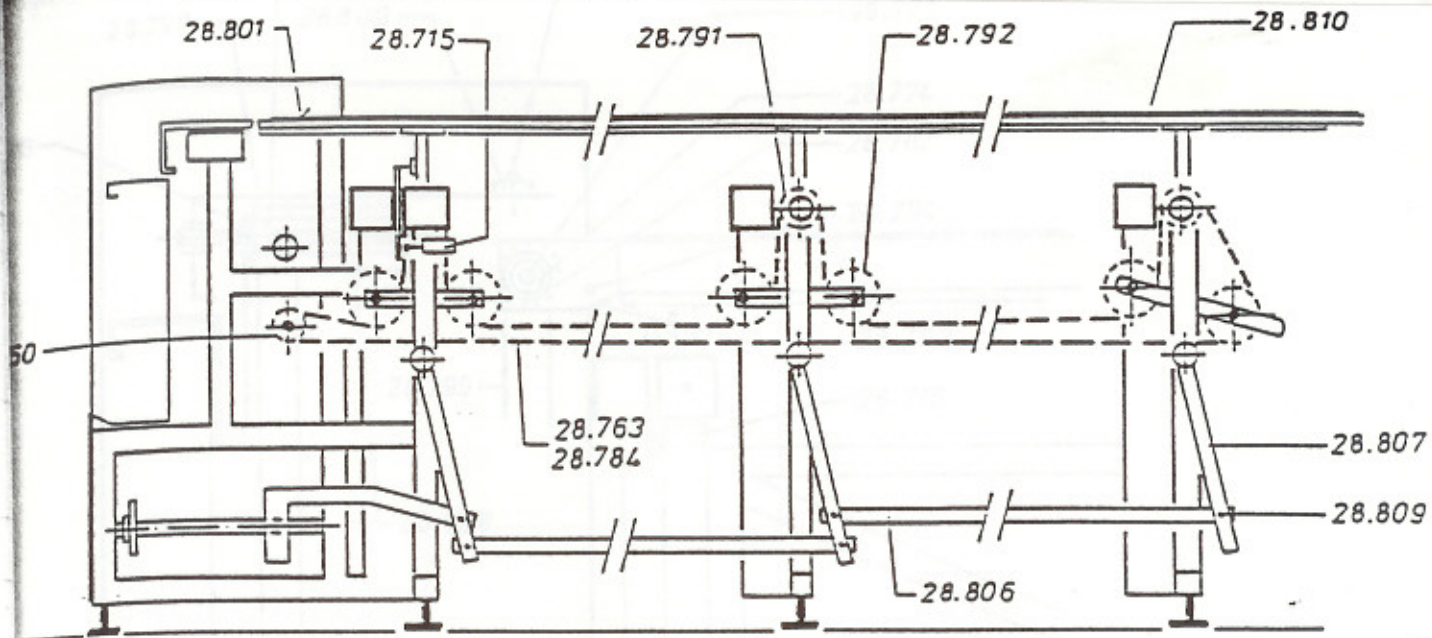


H 28 P

DATUM : 9.6.88
ZCHG. NR. : 4-6551



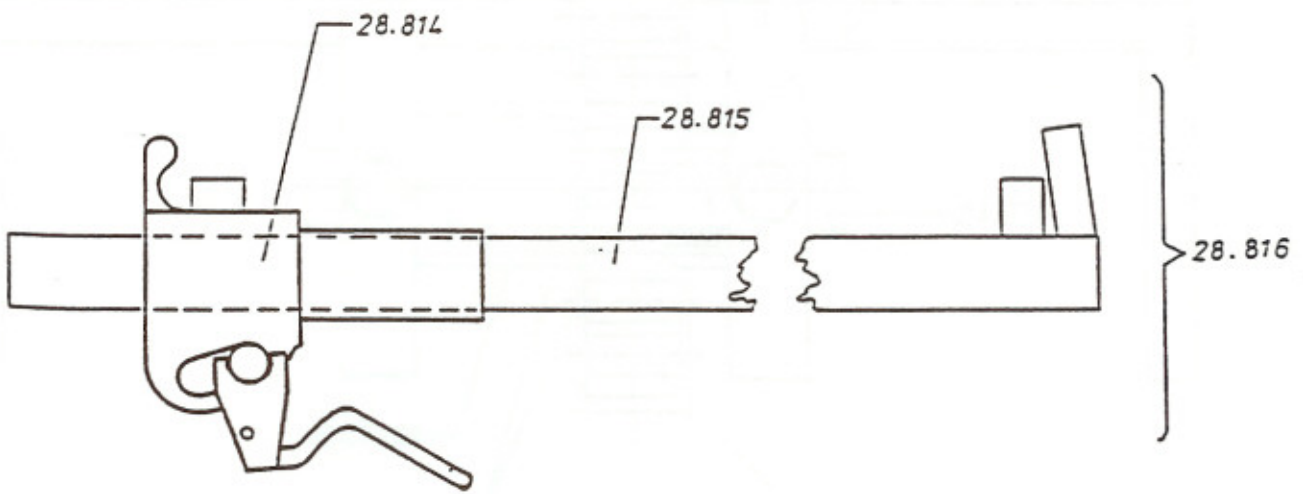
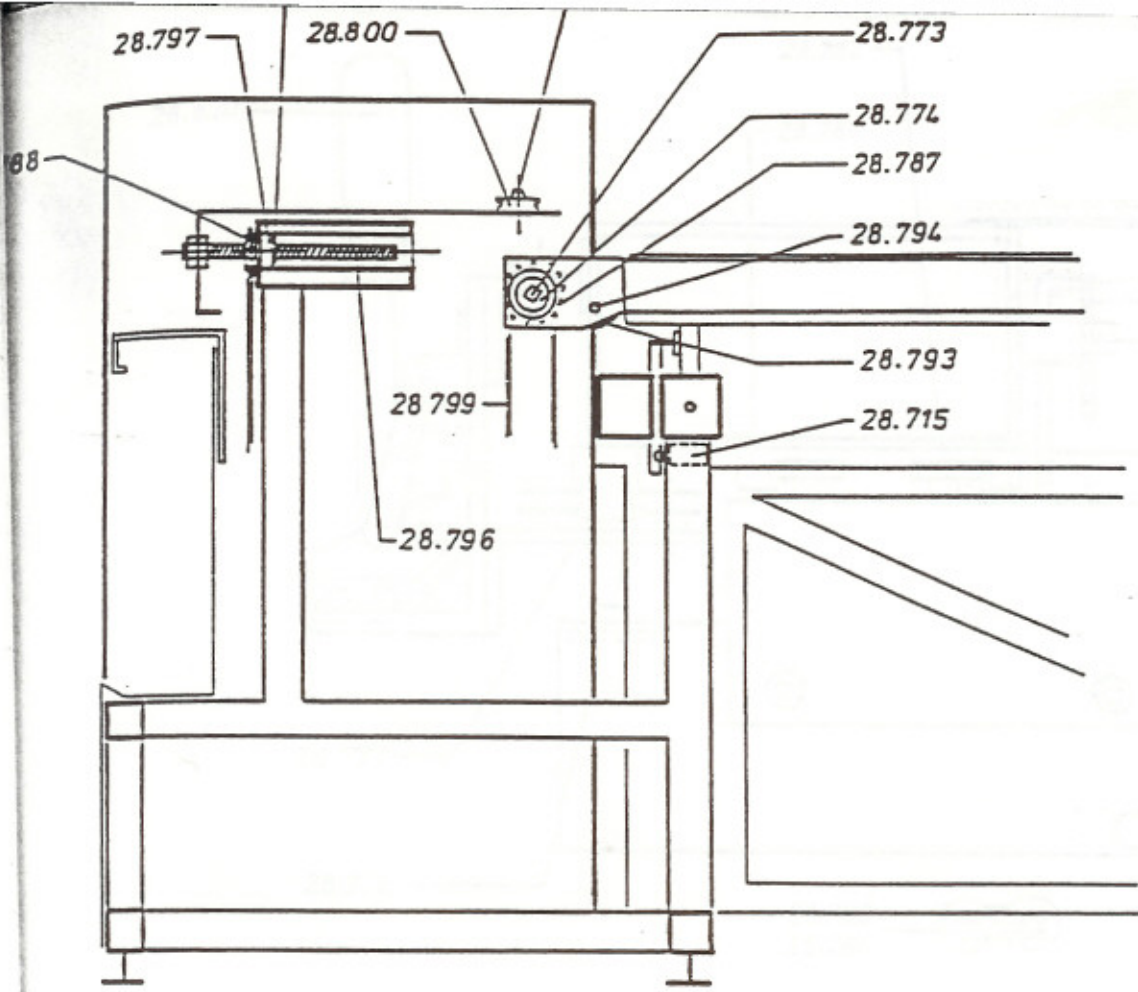
Harloche



H 28 P

DATUM : 9.6.88
ZCHG. NR. : 4-6552

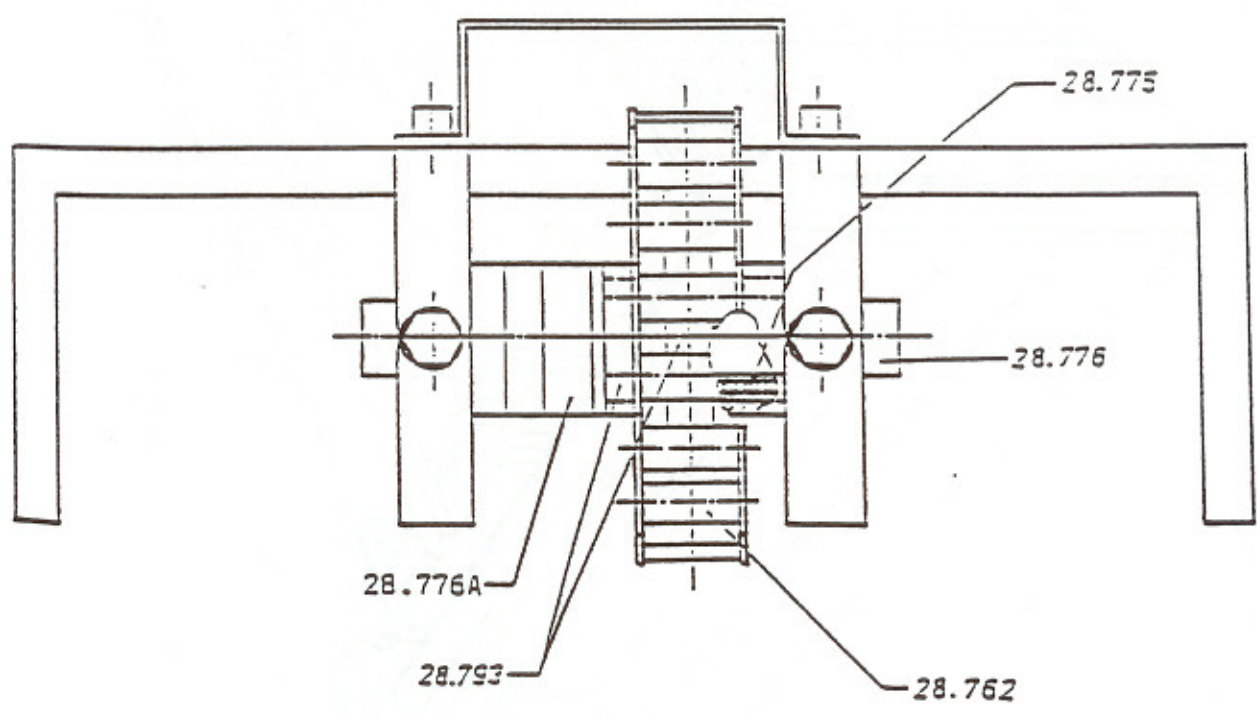
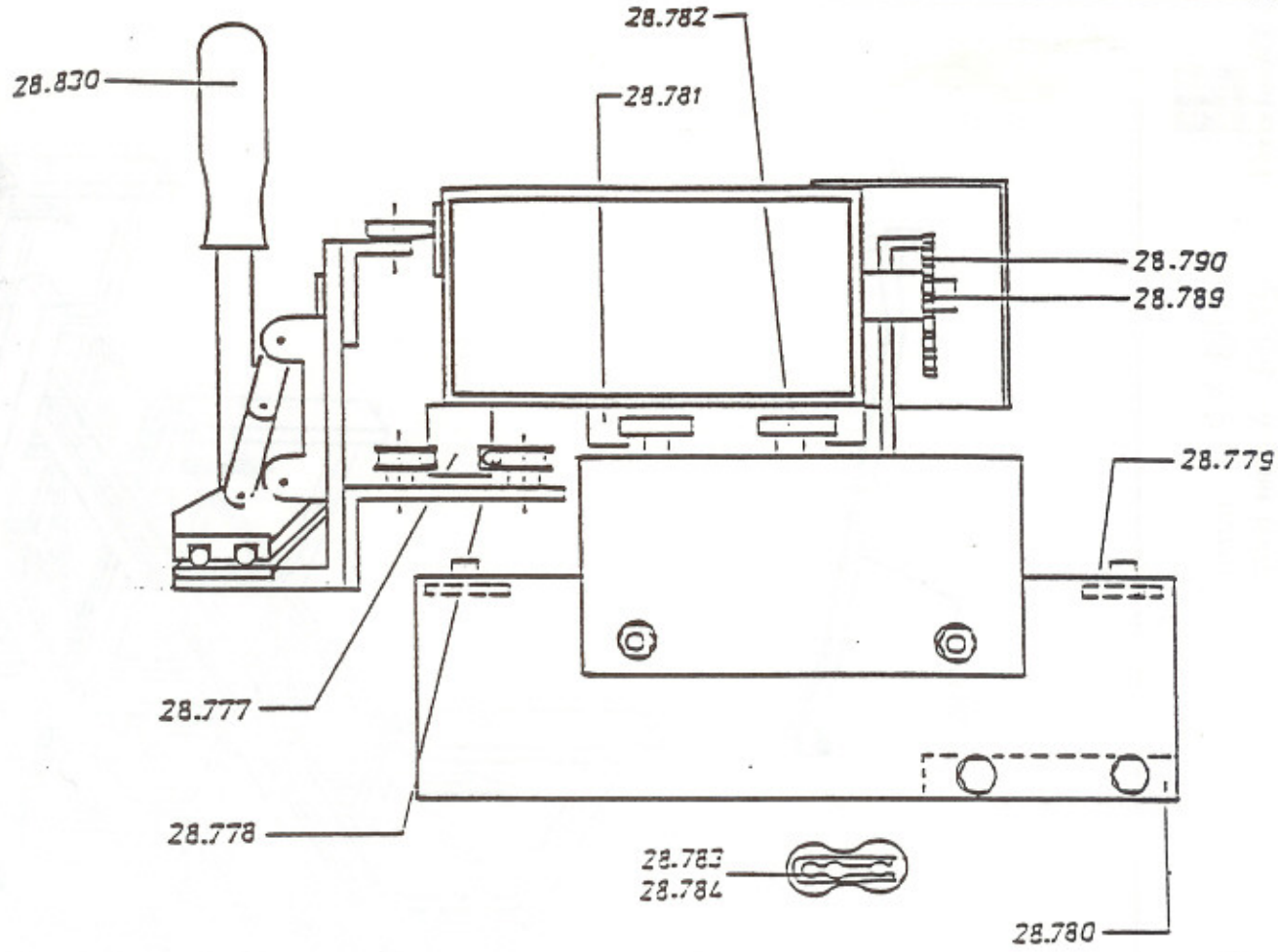




H 28 P

DATUM : 9.6.88
 DRAWING NO : 1-6552

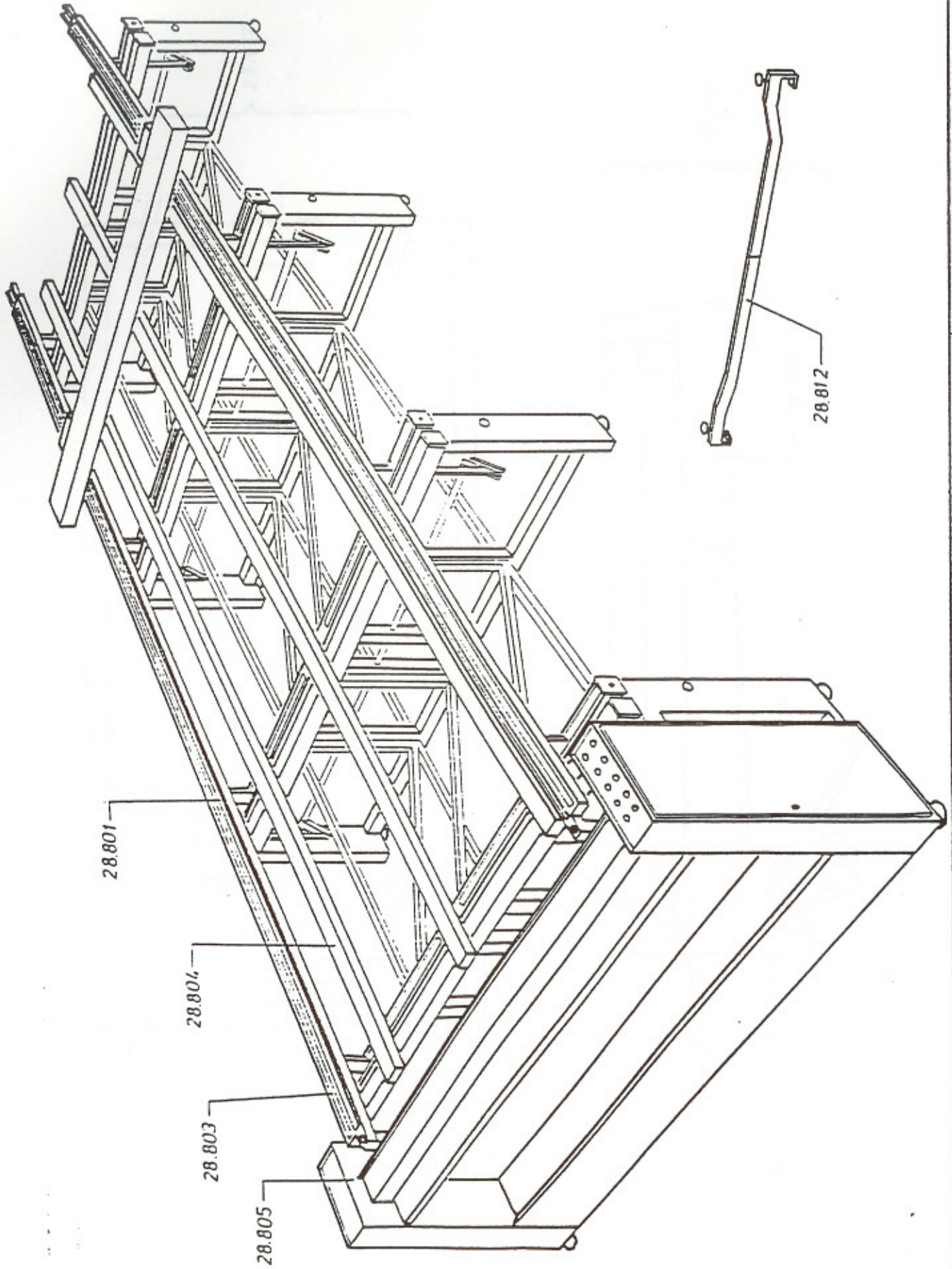




28 S-4

DATUM : 9.6.88
 ZCHG. NR. : 4-6554



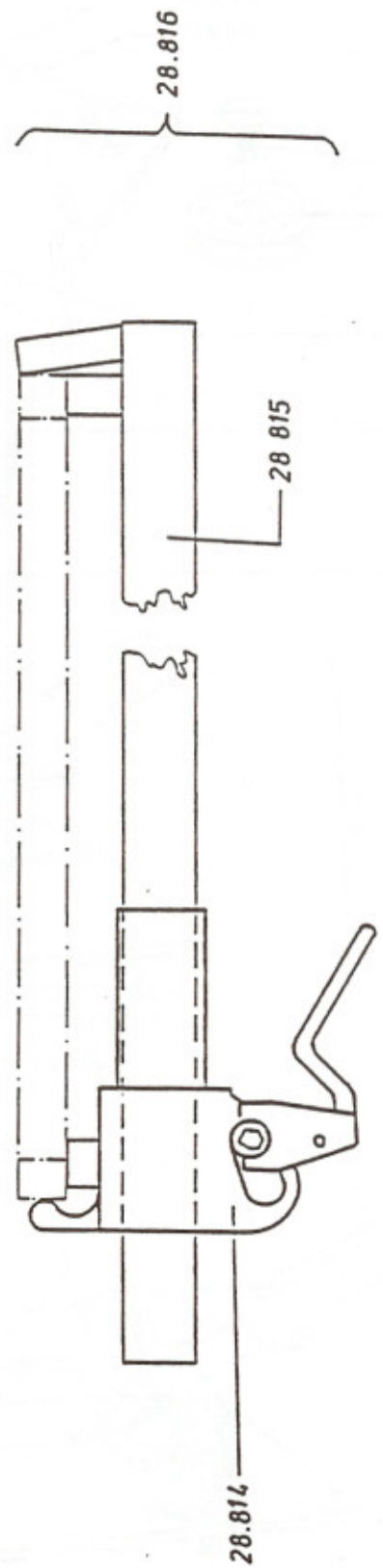
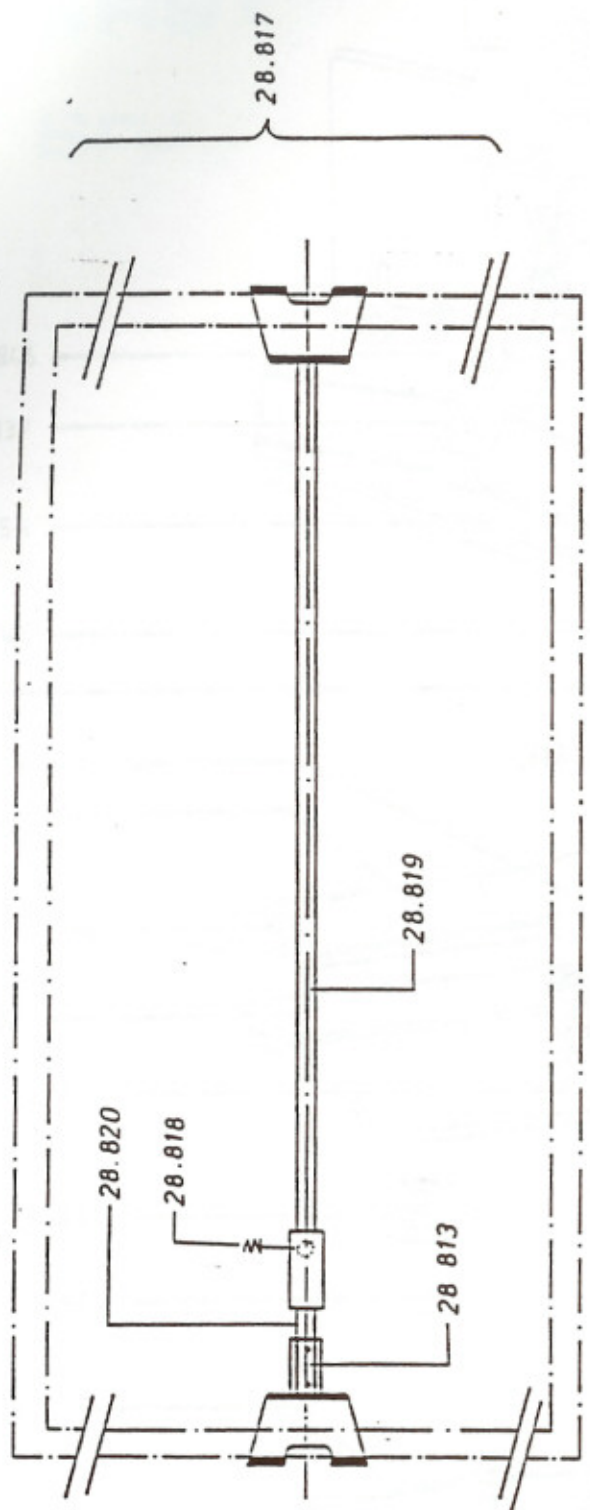


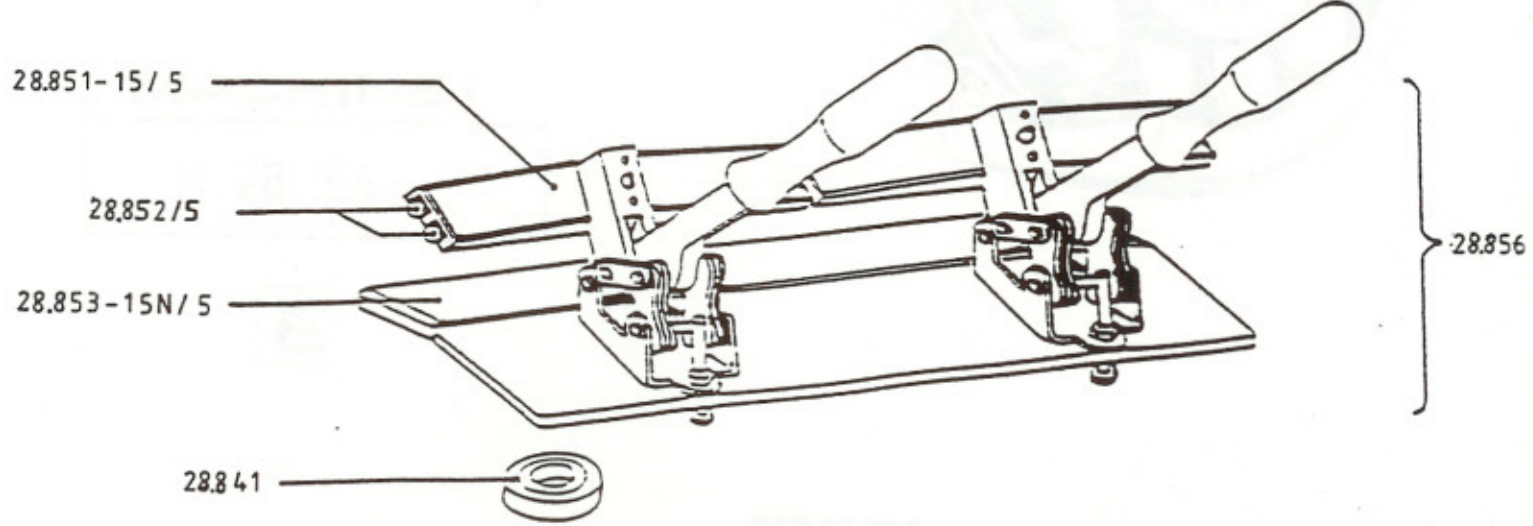
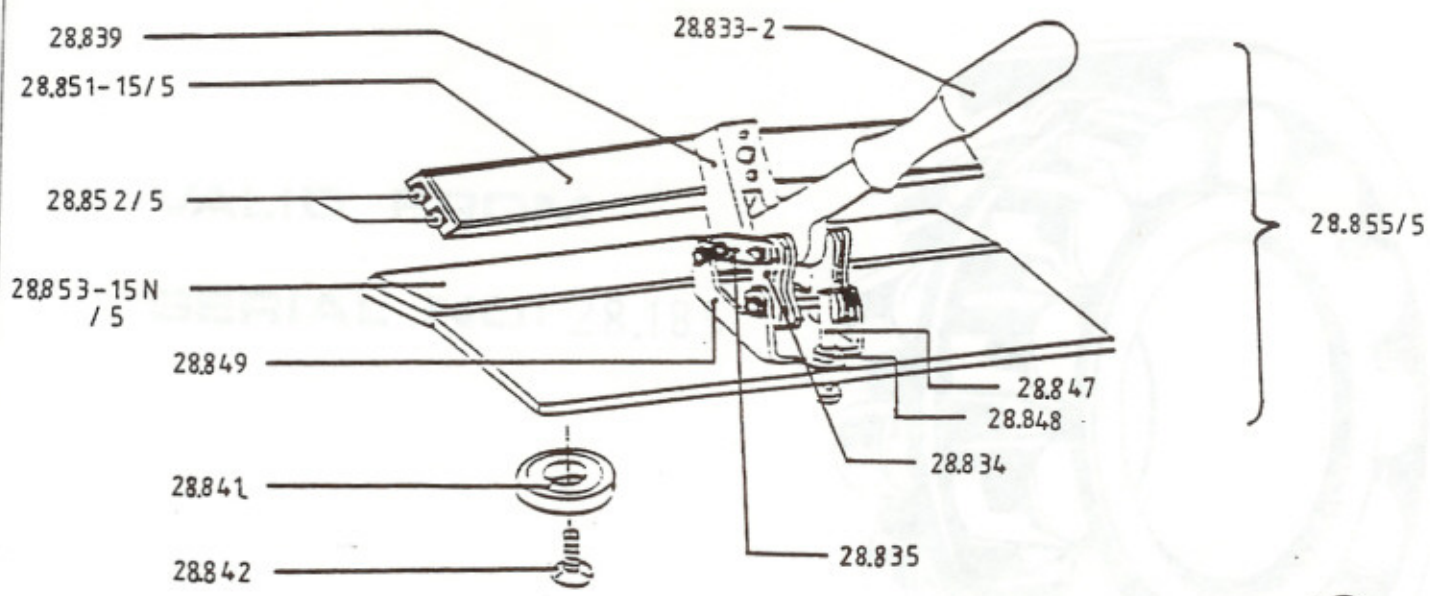
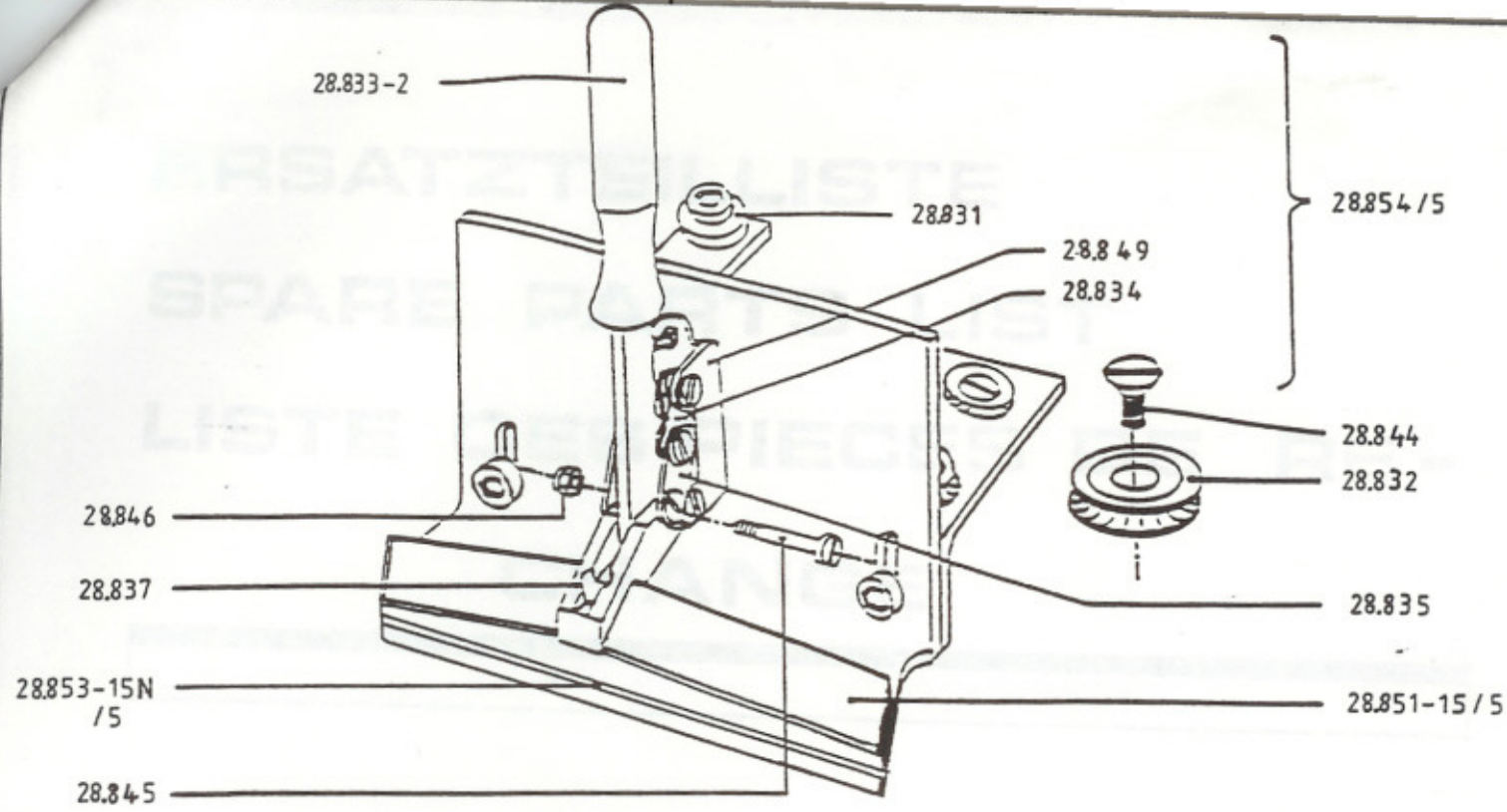
DATUM : 9.6.88
ZCHG. NR. : 4-6555

H 28 P



Harbinger AG





H28S-4

