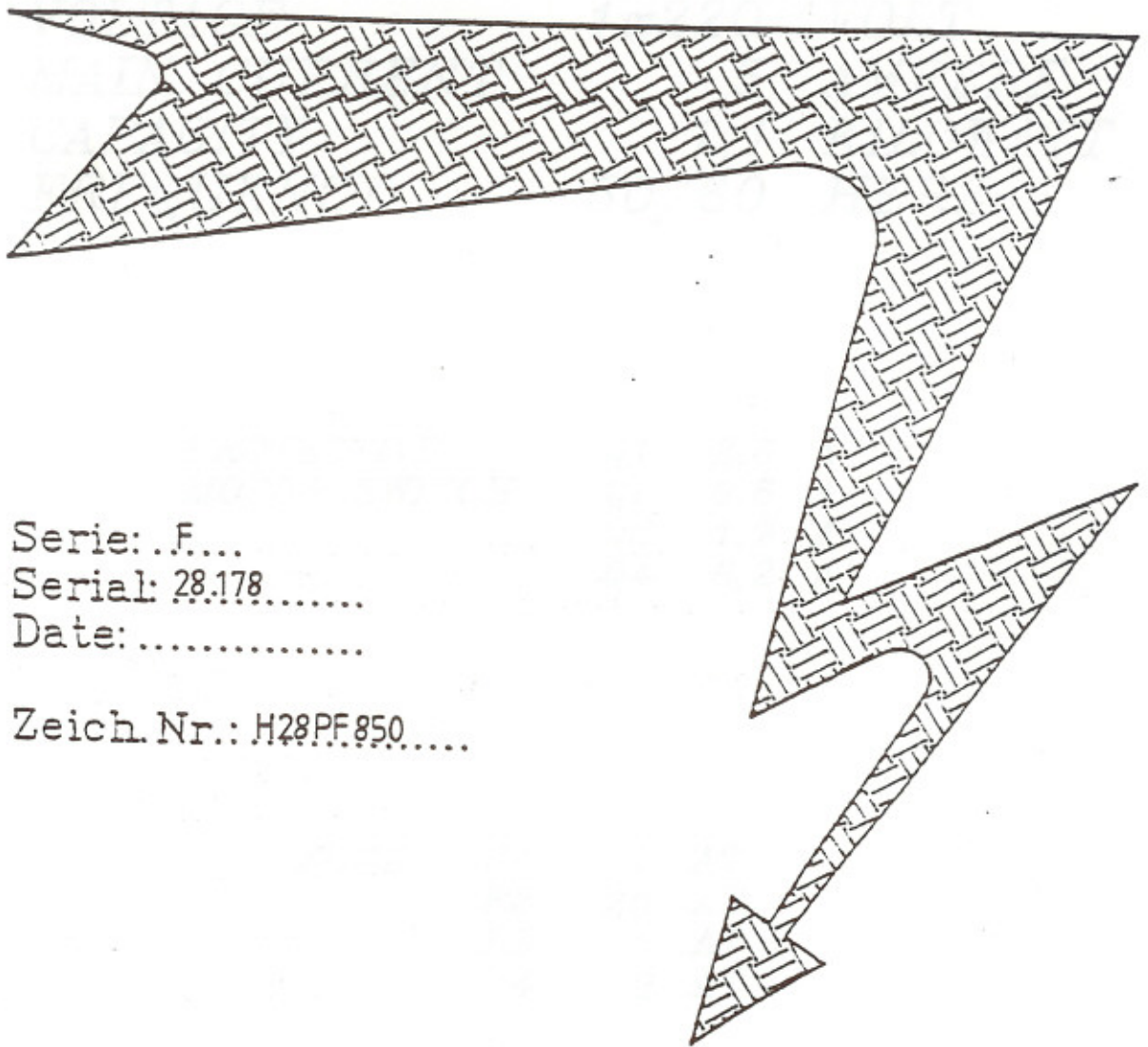


# WIRING DIAGRAM



Serie: .F....  
Serial: 28.178.....  
Date:.....

Zeich. Nr.: H28PF.850.....

H 28 S4

Textildruckschablonen  
Fimherstellung  
Schablonen-Gravuranlagen  
Maschinen  
für den Selbstvertrieb



Hariacher AG  
CH-8964 Rudolfstetten  
Grossmattstrasse 25  
Tel: 057 33 83 66 Fax: 057 33 63 12

# DATAS

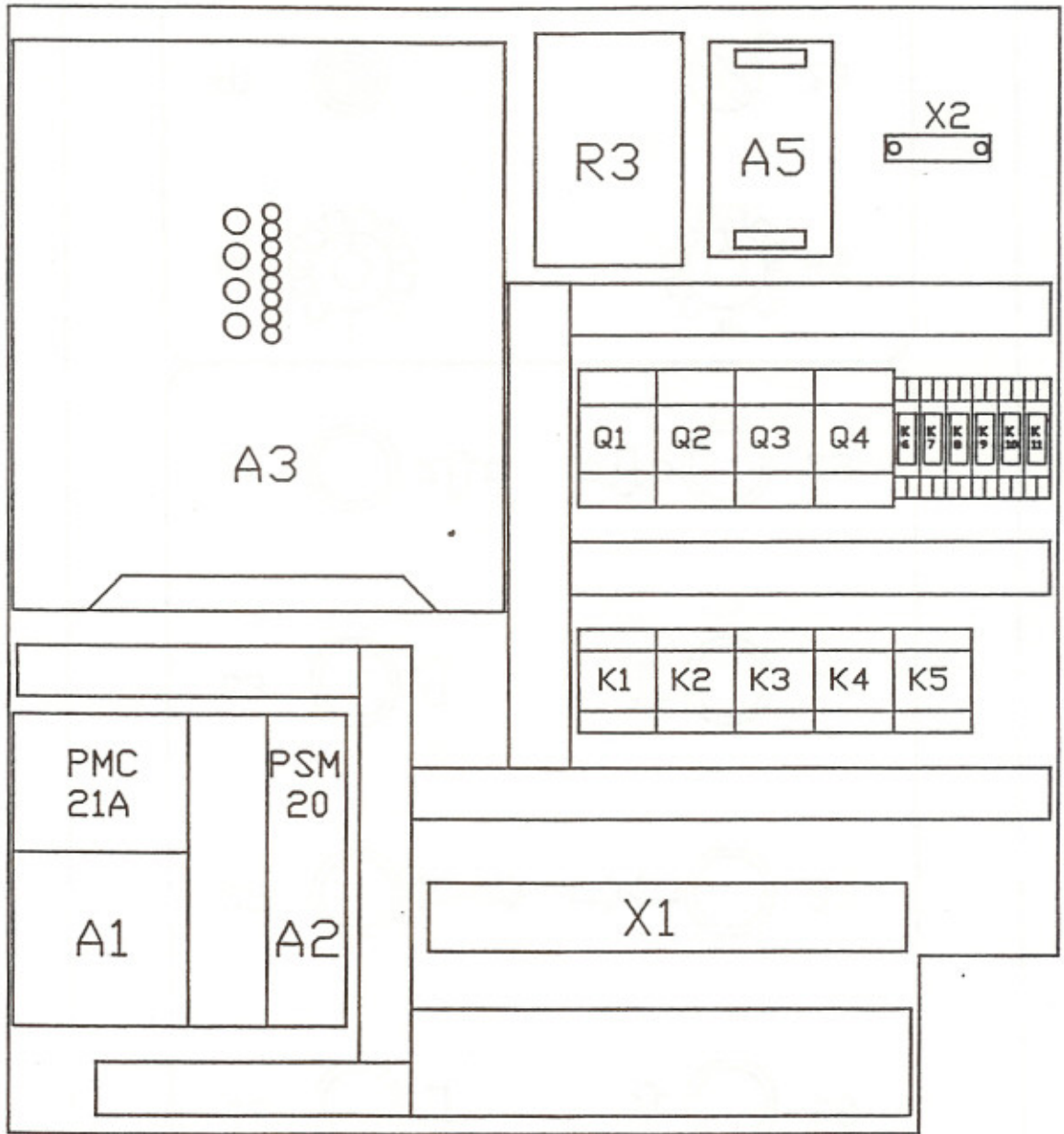
VOLTAGE	1x220	VOLT
MAIN CURRENT	5	AMPERE
CAPACITY	1,1	KILOWATT
FREQUENCY	50/60	HERZ

PROTECTIVE	Q1	2,6	A
MOTOR SWITCH	Q2	9,6	A
	Q3	1,9	A
	Q4	6,2	A

FUSE	F1	2	AT
	F2	20	AT
	F3	1	AT
	F4	2	AT

TENSION MACHINE

H28PF851



TENSION MACHINE

H28PF852a

H28

H1



S9

R1



R2

S1



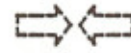
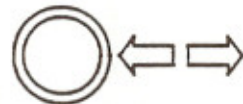
S2

S3



S4

S5



S5

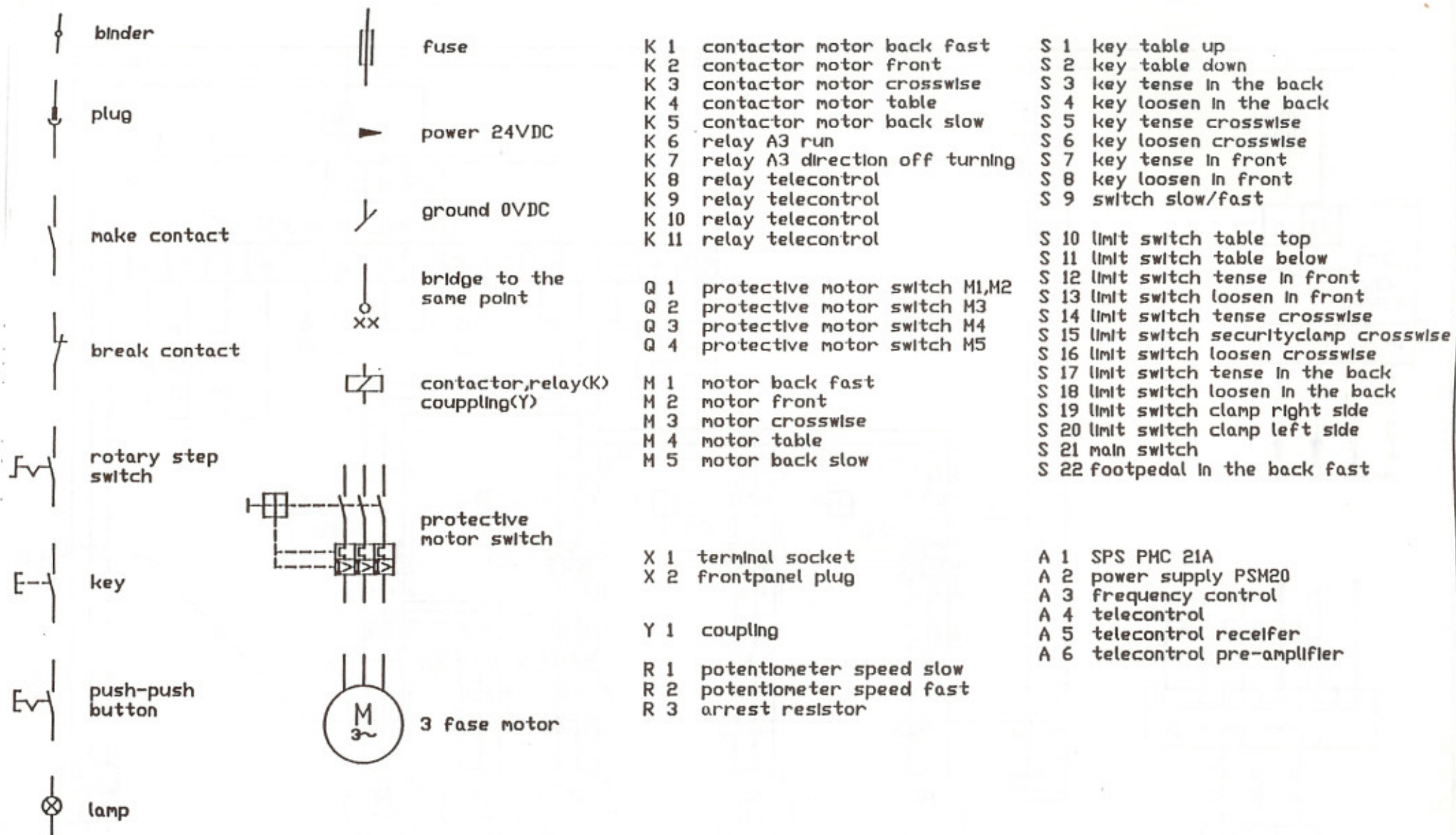
S7

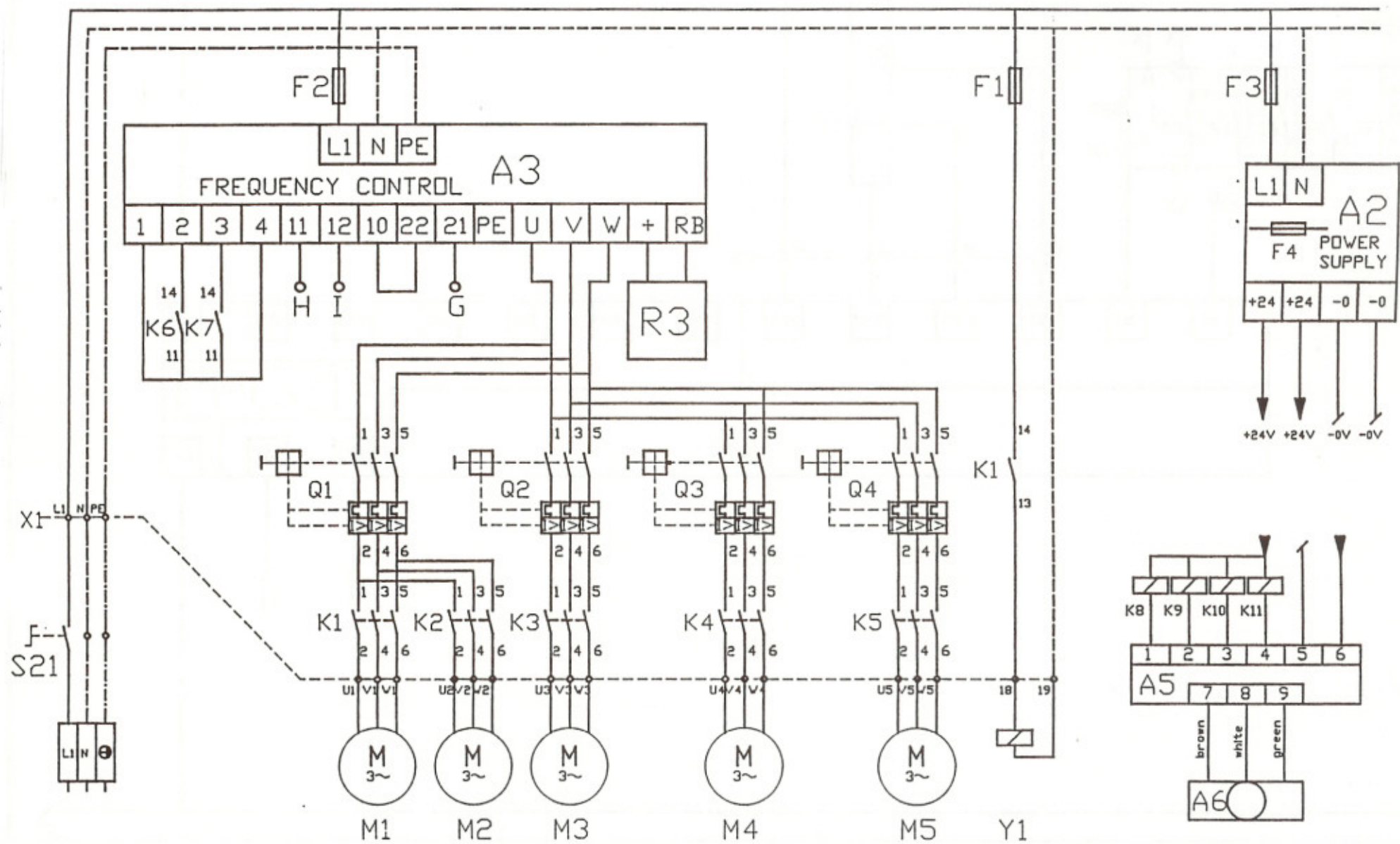


S8

TENSION MACHINE

H28PF853



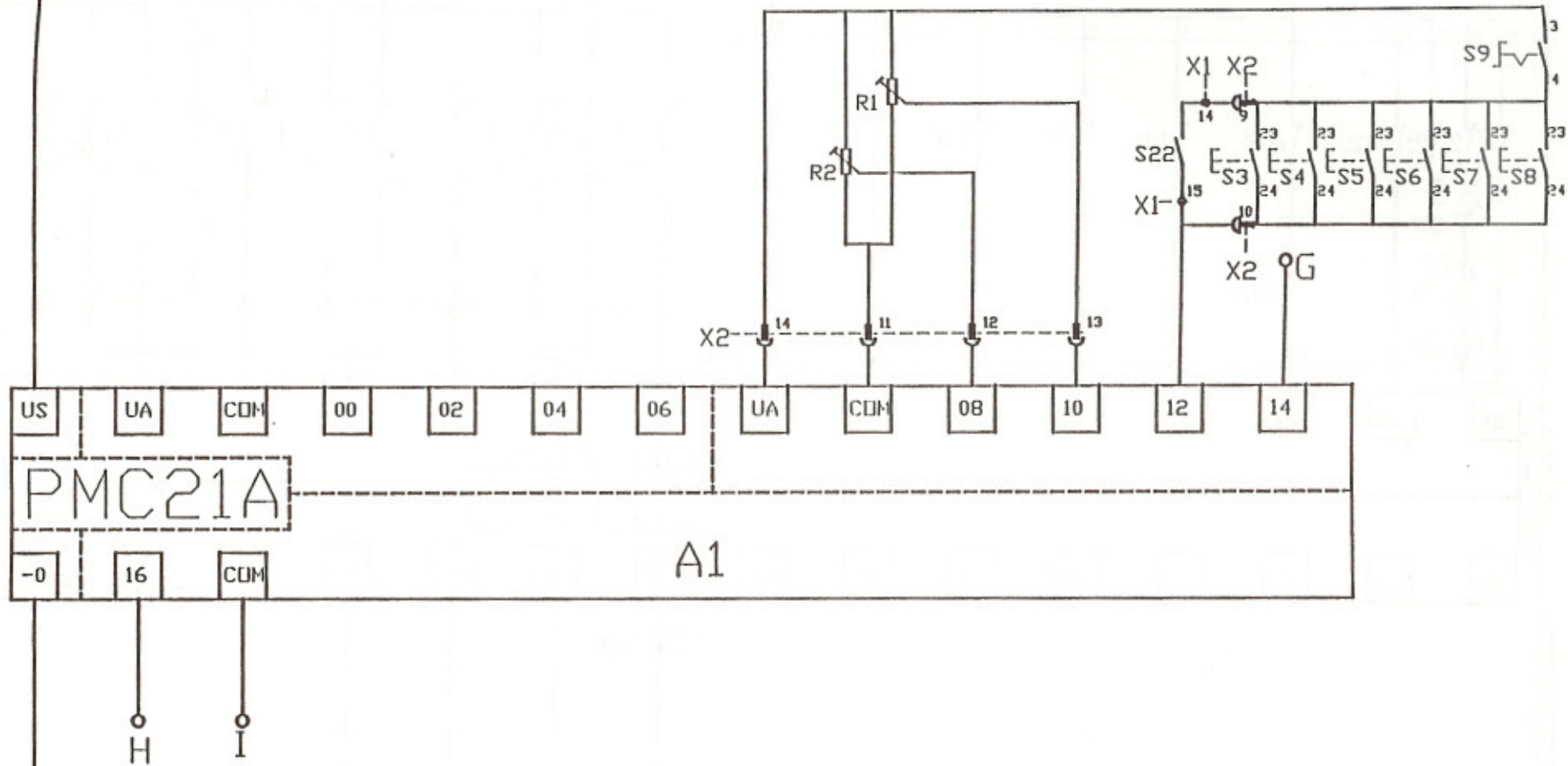


TENSION MACHINE

1x220V

H28PF855a

24V

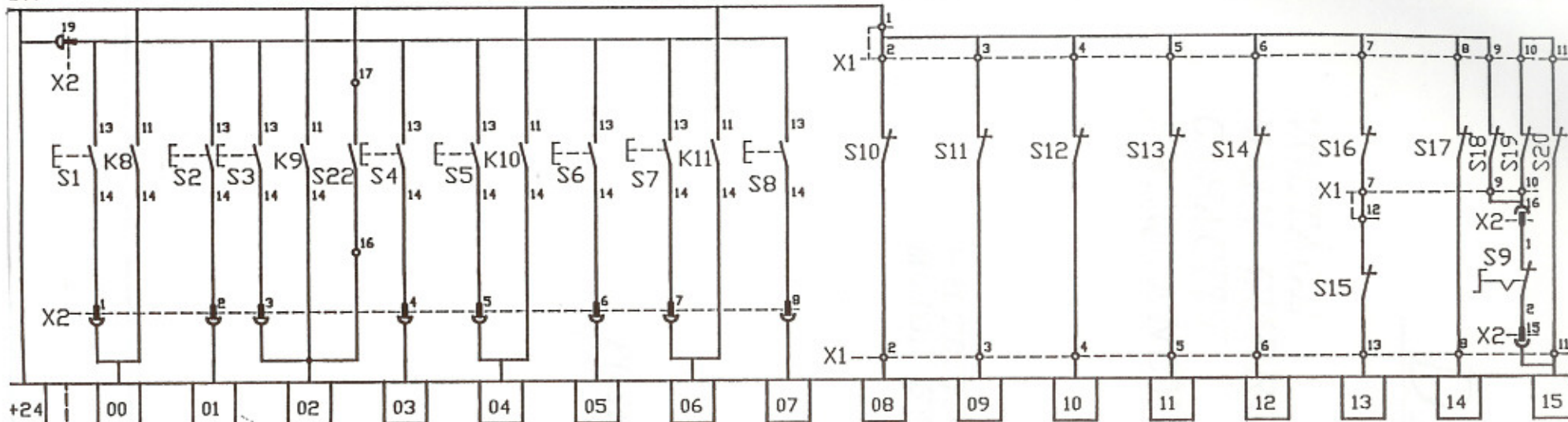


0V

TENSION MACHINE

H28PF856

24V



INPUTS 00.xx

DIO-01

OUTPUTS 01.xx



0V

TENSION MACHINE

H28PF857



# DATAS

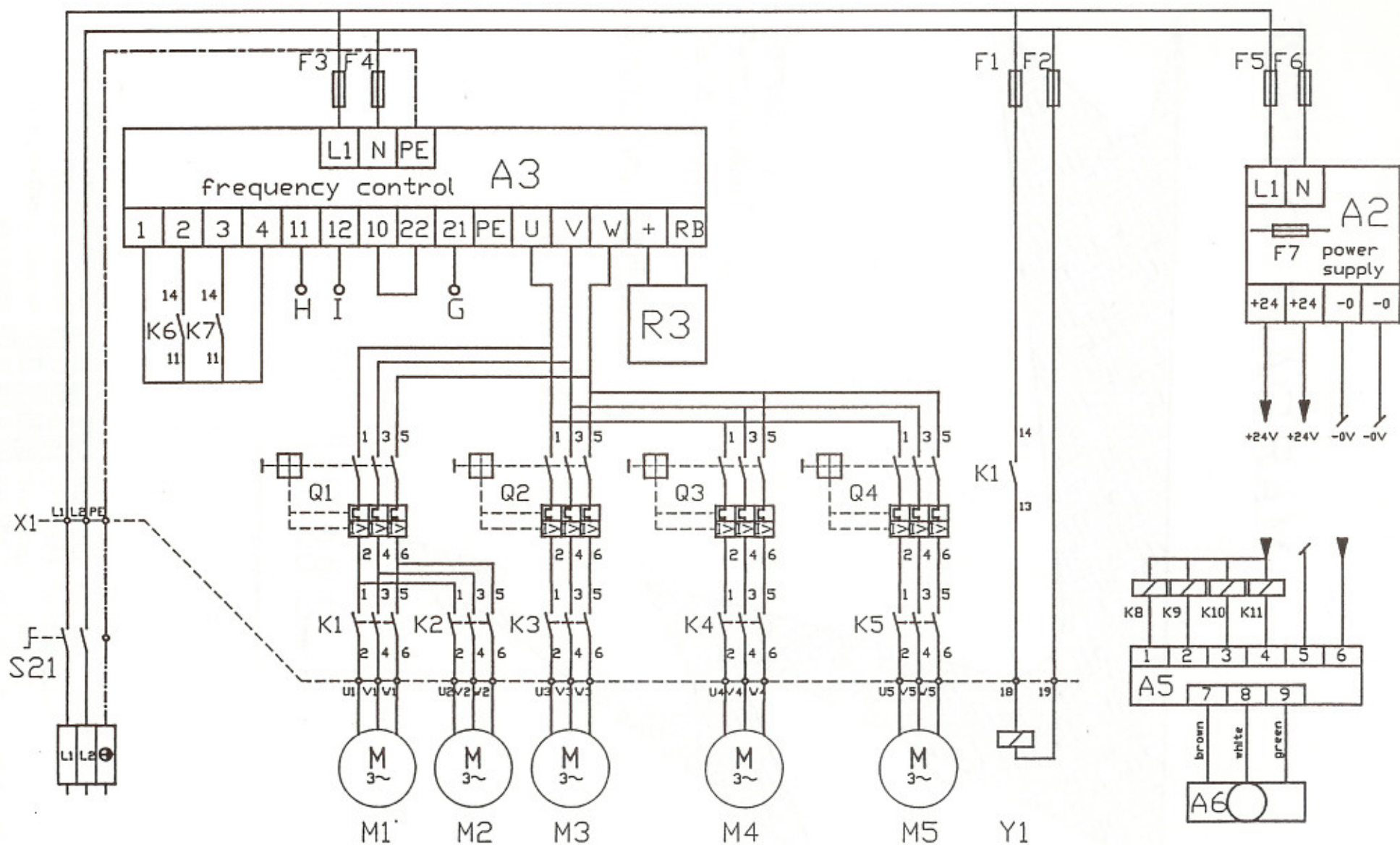
VOLTAGE	2x220	VOLT
MAIN CURRENT	5	AMPERE
CAPACITY	1,1	KILOWATT
FREQUENCY	50/60	HERZ

PROTECTIVE	Q1	2,6	A
MOTOR SWITCH	Q2	9,6	A
	Q3	1,9	A
	Q4	6,2	A

FUSE	F1	2	AT
	F2	2	AT
	F3	20	AT
	F4	20	AT
	F5	1	AT
	F6	1	AT
	F7	2	AT

TENSION MACHINE

H28PF858



TENSION MACHINE

2x220V

H28PF859a

