

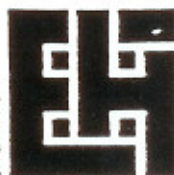
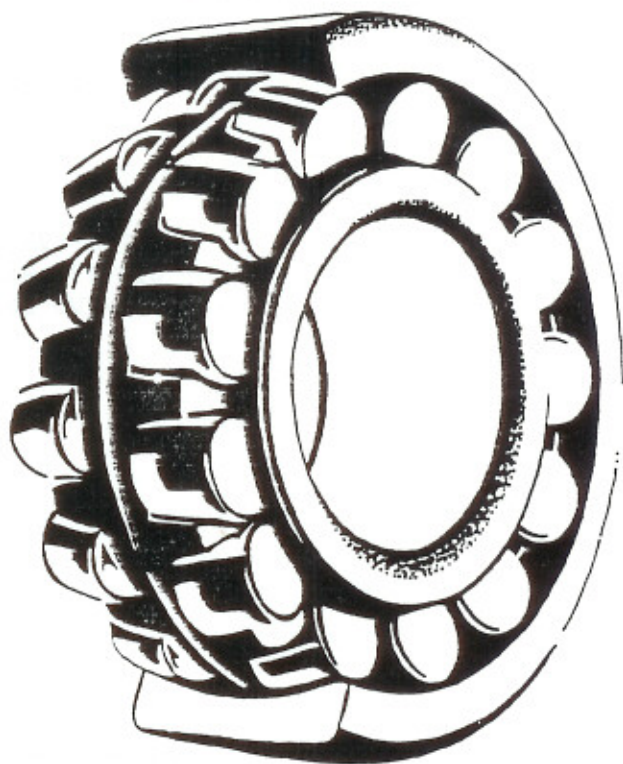
**ERSATZTEILLISTE**  
**SPARE PARTS LIST**  
**LISTE DES PIECES DE RE -**  
**CHANGE**

---

**VALID FROM**  
**SERIAL NO: 28 100**

**MACHINE:**

H28 S4



G A U Z E - S T R E T C H I N G M A S C H I N E H 28 S-4

SPARE PARTS LIST

(Sketches: 4-6549 - 4-6557)

(valid from serial no. 28.100)

ELECTRICAL PARTS

- 28.700 - main switch
- 28.701 - control lamp green compl.
- 28.702 - IR remote control
- 28.703 - turn switch speed compl.
- 28.704 - potentiometer slow speed
- 28.705 - potentiometer high speed
- 28.706 - press switch blue for screen frame contact compl.
- 28.707 - press switch blue for screen frame lowering compl.
- 28.708 - press switch blue for longitudinal stretching compl.
- 28.709 - press switch blue for longitudinal detachment compl.
- 28.710 - press switch blue for crosswise stretching compl.
- 28.711 - press switch blue for crosswise detachment compl.
- 28.712 - press switch blue for front longitudinal stretching compl.
- 28.713 - press switch blue for front longitudinal detachment compl.
  
- 28.701A- lamp 24V for 28.701
- 28.702A- battery 9V for remote control 28.702
  
- 28.714 - IR pre-amplifier
- 28.715 - limit switch, 2m cable
- 28.716 - frequency converter 2,2 kW
- 28.717A- protective motor switch up/down GV1-M07
- 28.717B- protective motor switch crosswise GV1-M10
- 28.717C- protective motor switch crosswise GV1-M14
- 28.718 - cap to contactor LA1-D11
- 28.719 - contactor CA2-DN 1319 B
- 28.720 - cap to contactor LA1-D22
- 28.721 - fuses for network 16AT
- 28.722 - fuses for control 1AT
- 28.723 - binding posts 2UK
- 28.724 - relay with socket 2UK
- 28.725 - transformer 220V/24V 38VA
- 28.726 - IR pc-board receiver compl.
- 28.727 - D-SUB socket board 37 Pol

MECHANICAL PARTS

- 28.740 - motor for crosswise stretching KMER 100-L4
- 28.741 - gear UU22 70:1
- 28.743 - gear UU17 70:1
- 28.744 - motor for back stretching, motor lift off AR 100 L-4/2
- 28.745 - gear UU17 15:1
- 28.746 - motor for front stretching KMER B71-G4
- 28.748 - V-belt pulley diameter: 60
- 28.749 - V-belt pulley diameter: 180
- 28.750 - chain wheel for gear UU22 (stretching crosswise)
- 28.751 - chain wheel to UU17 (back stretching)
- 28.752 - V-belt pulley diameter: 80
- 28.754 - V-belt pulley diameter: 60

28.816 - screen frame tensioning unit  
28.817 - tension holder  
28.818 - spring for tension holder  
28.819 - outer tube for tension holder  
28.820 - inner tube for tension holder  
28.821 - carriage compl.  
28.822 - pulley  
28.823 - rope-pulley  
28.824 - bow  
28.825 - guidance  
28.826 - fuse  
28.827 - connector  
28.828 - horizontal shore  
28.829 - vertical standard  
28.829a- -----"

#### CLAMP CARRIAGE

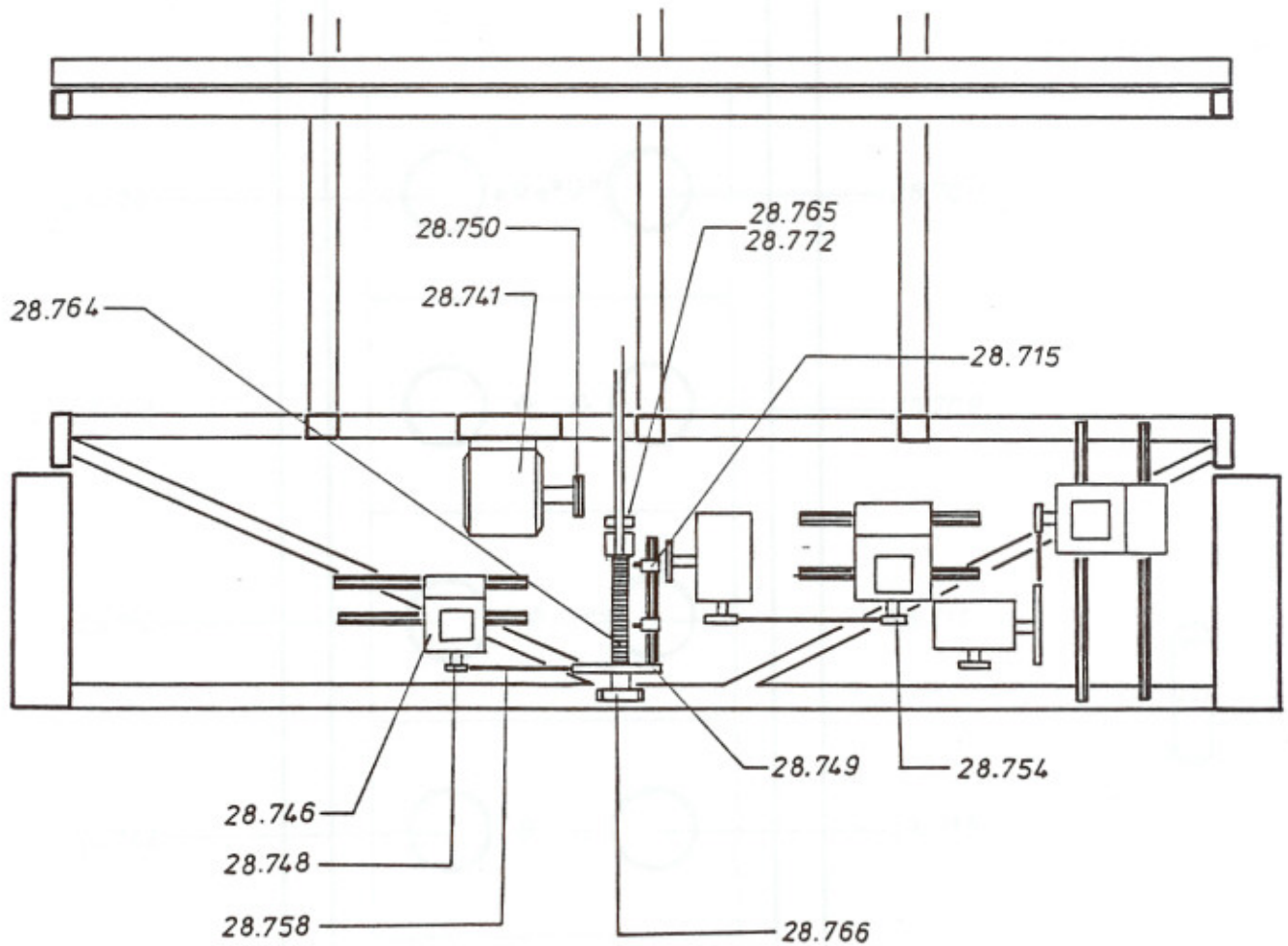
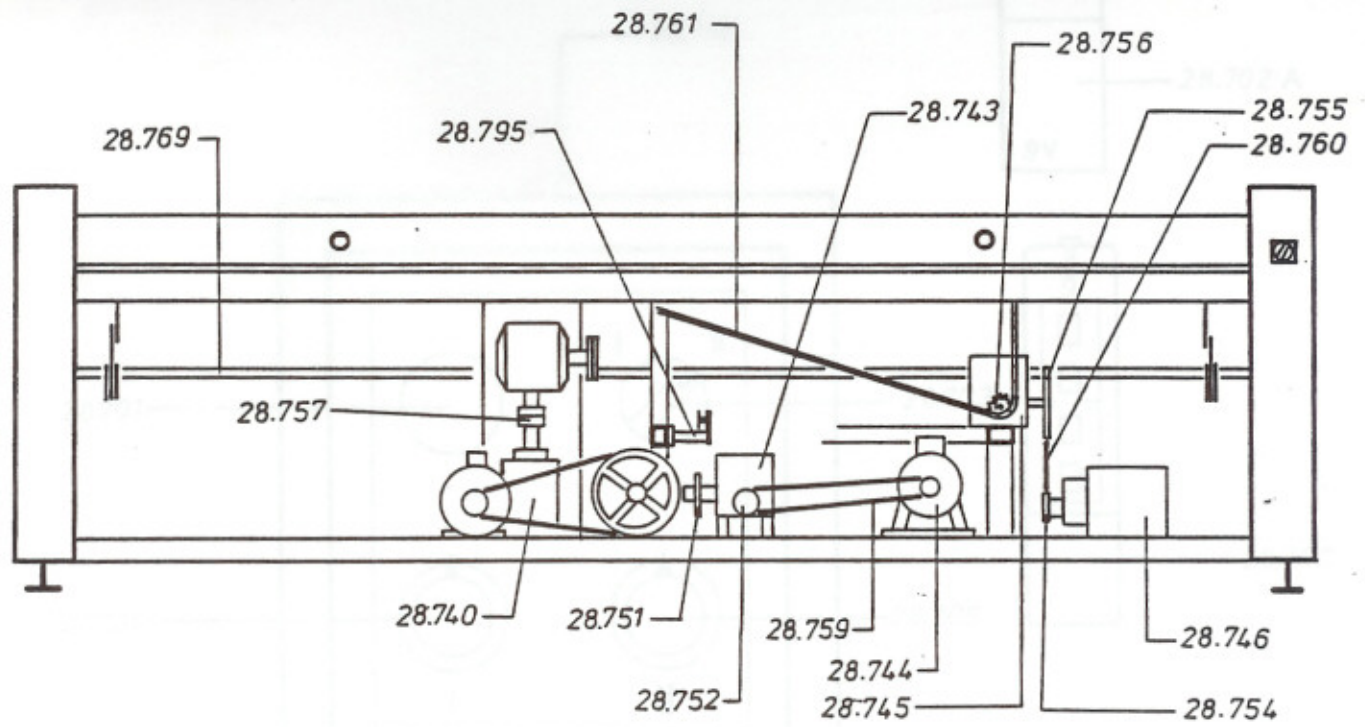
28.830 - back clamp carriage on cross beam compl.  
28.831 - ball bearing  
28.832 - concave ball bearing  
28.833 - clamp carriage handle  
28.834 - chain bracket, small (6 pieces)  
28.835 - bracket, large  
28.836-15 pressing lever (front bevelled and flat)  
28.837 - crosshead (aluminium)  
28.838-15N synthetic profile  
28.839 - crosshead (steel)  
28.840 - clamp carriage 15 cm compl.  
28.841 - deep groove ball bearing  
28.842 - hexagon screw M 4 x 8 mm  
28.843-15 pressing lever ( front bevelled and bomb shaped)  
28.844 - hexagon screw M 5 x 14 mm  
28.845 - threaded bolt CE  
28.846 - lock nut M 5  
28.847 - hexagon screw M 5 x 30 mm  
28.848 - nut M 5  
28.849 - saddle  
28.850 - clamp carriage 30 cm compl.

Rudolfstetten, December 1989 ma  
ET28S4E

(valid from serial no. 28.100)



- 28.755 - V-belt pulley diameter: 180
- 28.756 - chain wheel to UU17 (stretching in front)
- 28.757 - flex coupler to UU22
- 28.758 - V-belt lift off
- 28.759 - V-belt back stretching
- 28.760 - V-belt stretching in front
- 28.761 - chain 1/2" stretching in front
- 28.762 - chain 1/2" back stretching
- 28.763 - duplex chain 1/2" crosswise stretching
- 28.764 - spindle lift off
- 28.765 - spindle nut lift off
- 28.766 - pedestal bearing UCP 204 N
- 28.767 - cross tensioning spindle cover
- 28.768 - cross tensioning sledge
- 28.769 - spindle lift off
- 28.771 - cross tensioning spindle
- 28.772 - axial bearing lift off
- 28.773 - spindle (indicate left or right)
- 28.774 - sliding sleeve
- 28.775 - needle bearing
- 28.776 - pulling bolt for chain tensioning
- 28.777 - clamp carriage guiding rail for tensioning backward
- 28.778 - round rod (indicate length)
- 28.779 - glider for tensioning beam backward
- 28.780 - carrier for tensioning beam backward
- 28.781 - tensioning beam backward
- 28.782 - deep groove ball bearings for tensioning beam backward
- 28.783 - chain joint 1/2"
- 28.784 - chain joint duplex 1/2"
- 28.787 - deep groove ball bearings for sliding sleeve
- 28.788 - spindle nut for front tensioning beam
- 28.789 - chain 1/2" for tensioning beam backward
- 28.790 - chain pinion gear 1/2"
- 28.791 - duplex chain pinion gear for cross spindle
- 28.792 - duplex chain pinion gear for detour
- 28.793 - reversing pinion gear
- 28.794 - bolt for reversing pinion gear
- 28.795 - chain-adjuster
- 28.796 - spindle for front beam
- 28.797 - deep groove ball bearing for front spanning beam
- 28.798 - axial bearing for front tensioning beam
- 28.799 - chain 1/2" for sliding sleeve tensioning backward
- 28.800 - front clamp carriage guiding rail
- 28.801 - cross clamp carriage guiding rail
- 28.803 - guidance for tensioning beam backward
- 28.804 - AC tube 100/60 lift off
- 28.805 - rubber buffer
- 28.806 - connecting rod
- 28.807 - lever for lift off
- 28.808 - bolt for connecting rod
- 28.810 - U-profile
- 28.811 - adjustable foot screw
- 28.812 - holding down bar
- 28.813 - tensioning screw for tension holder
- 28.814 - tension eccentric
- 28.815 - tube for screen frame tensioning unit

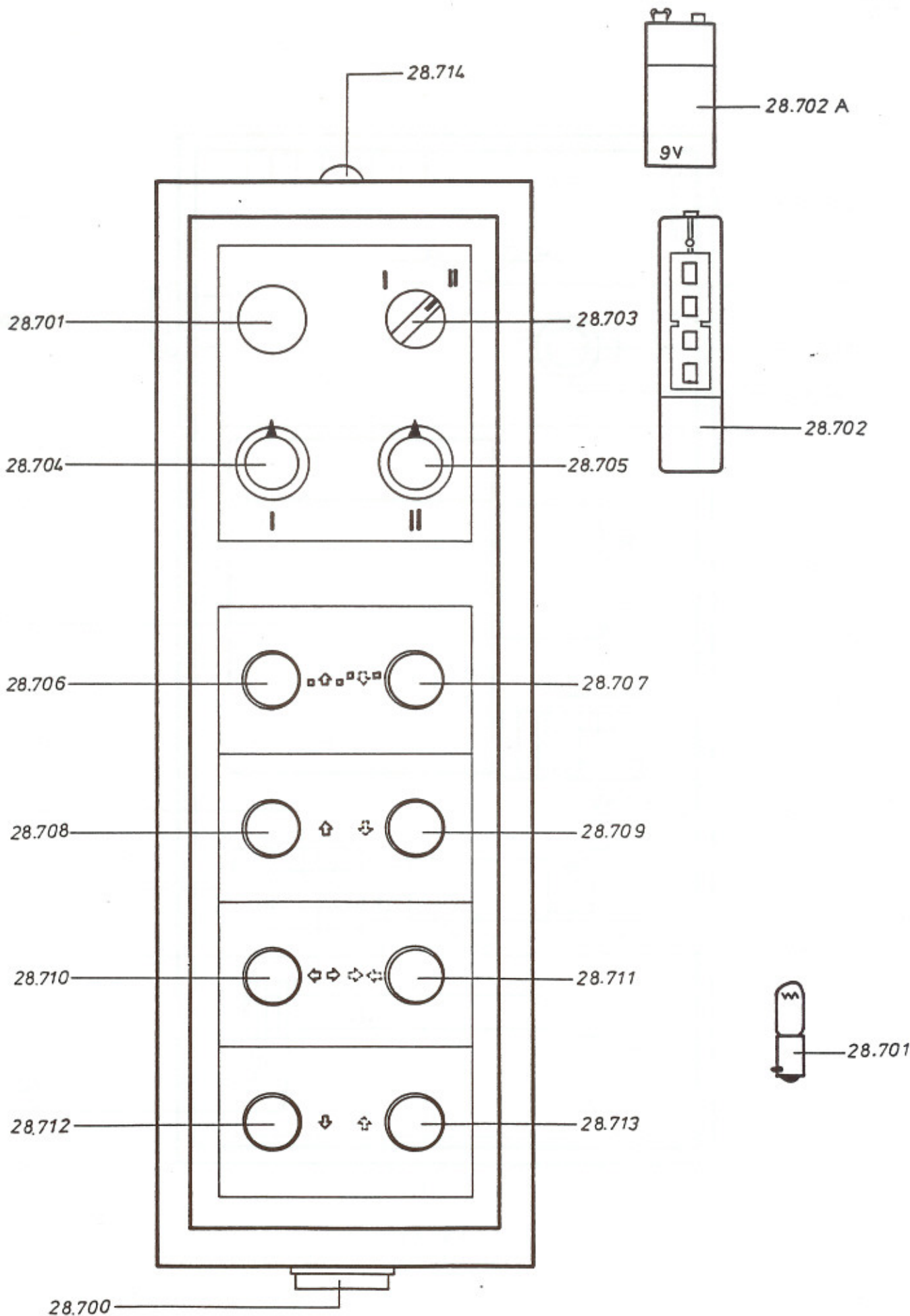


H28S4

DATUM : 9.6.88  
ZCHG. NR. : 4-6551





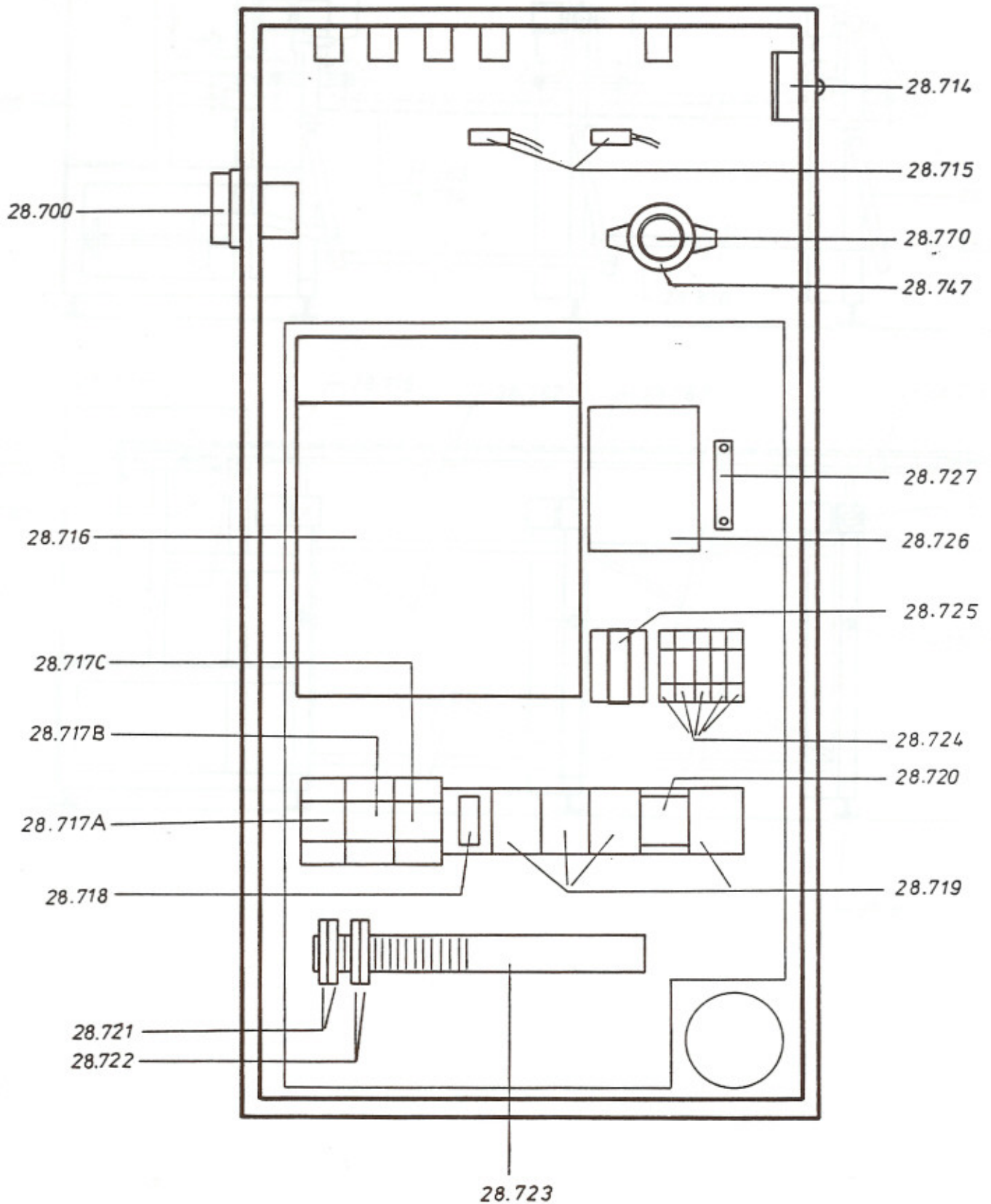


H28S4

DATUM : 9.6.88  
 ZCHG. NR. : 4-6549



Har...

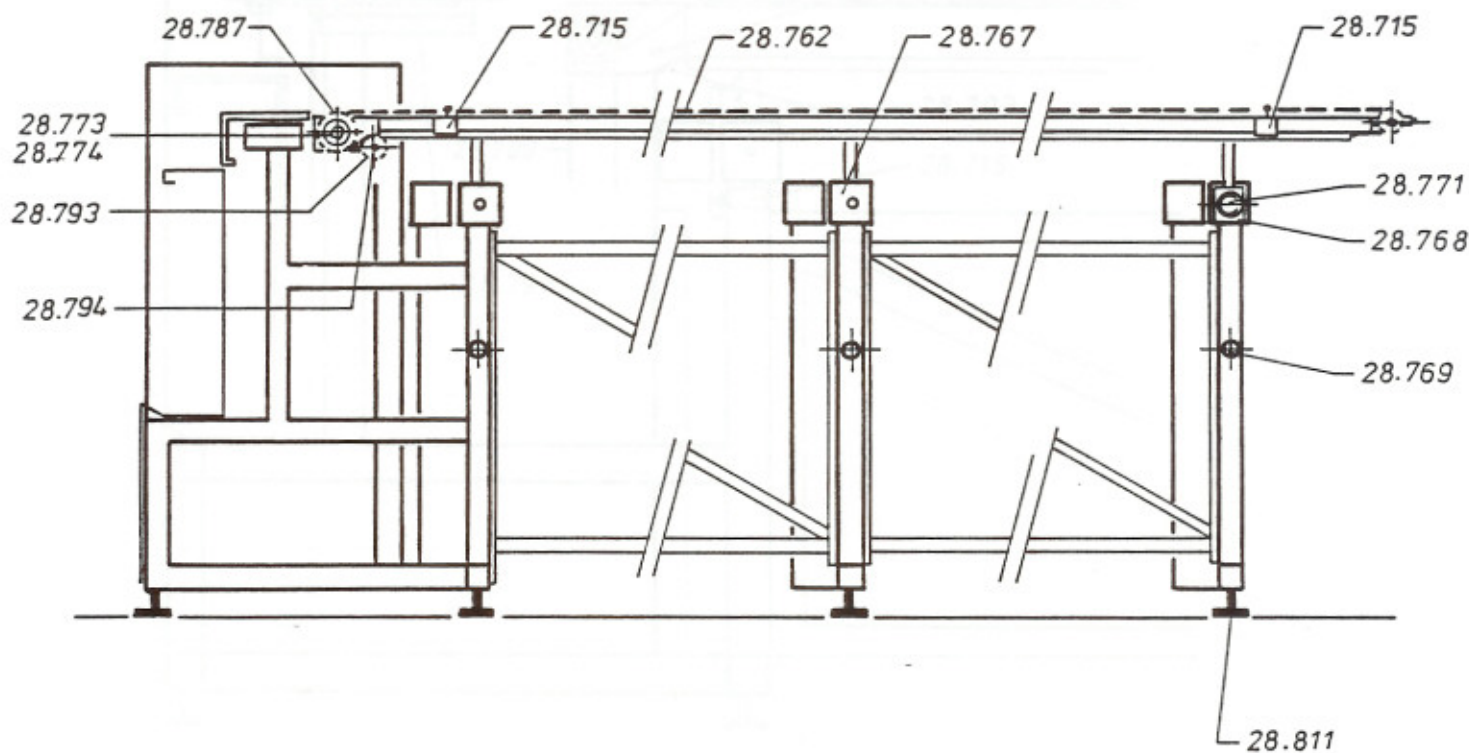
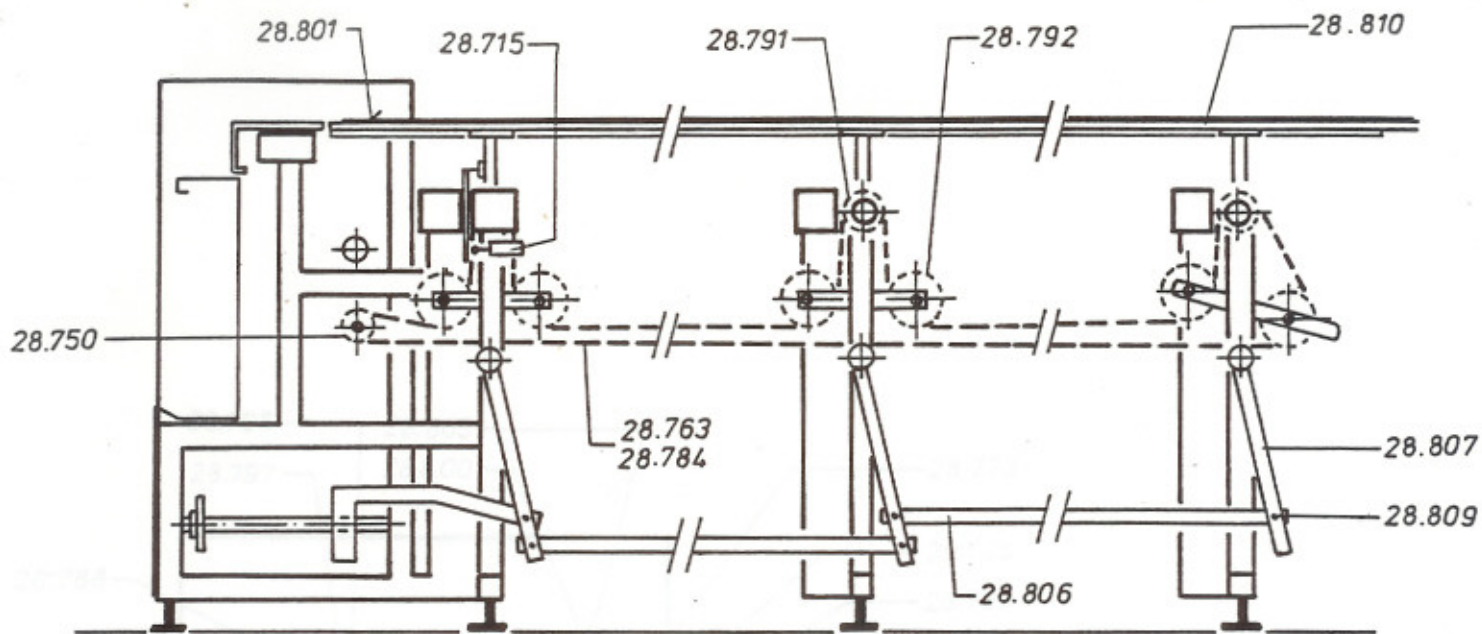


H28S4

DATUM : 9.6.88  
 ZCHG. NR. : 4-6550



Harbo



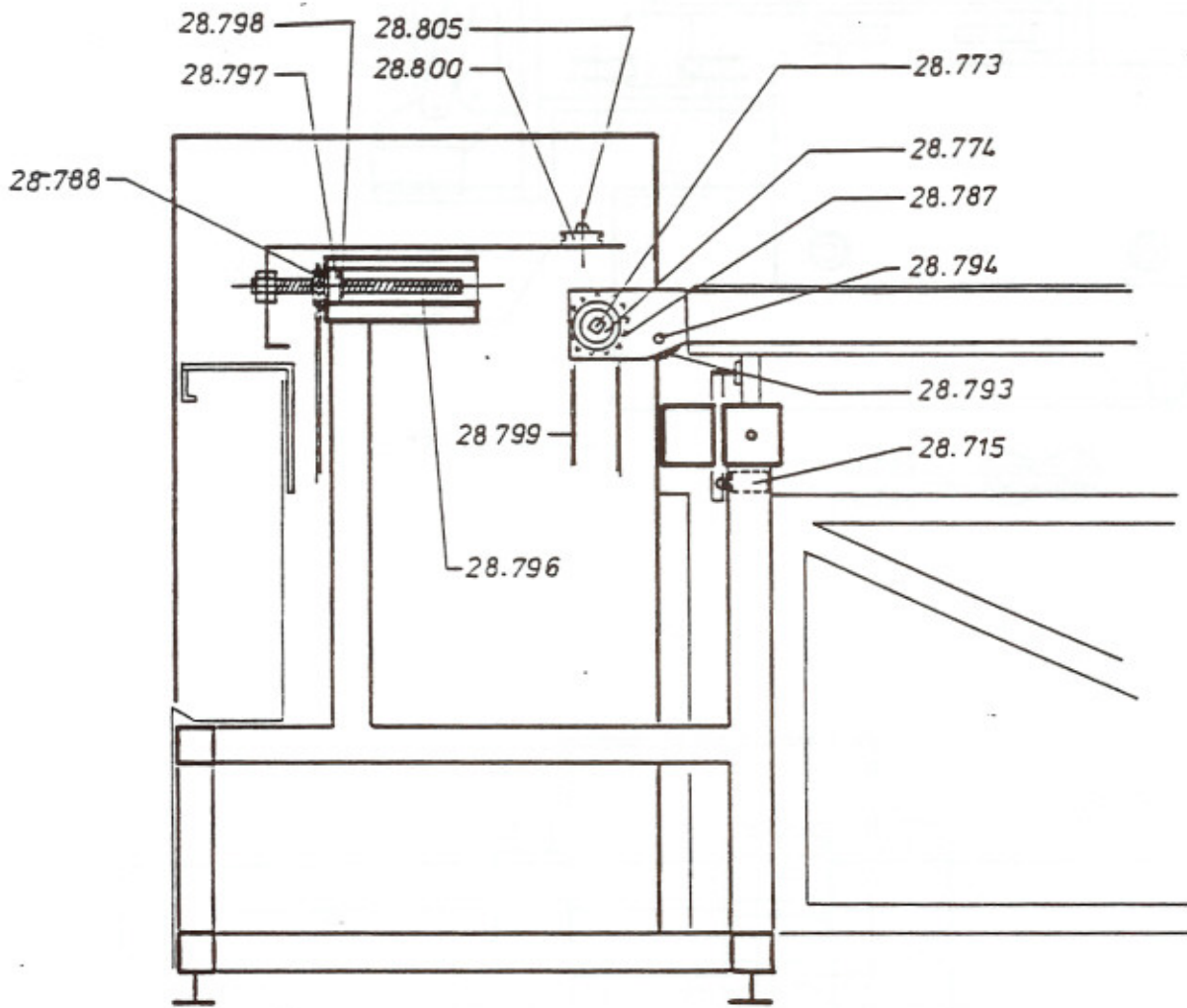
H28S4

DATUM : 9.6.88  
 ZCHG. NR. : 4-6552



Har...

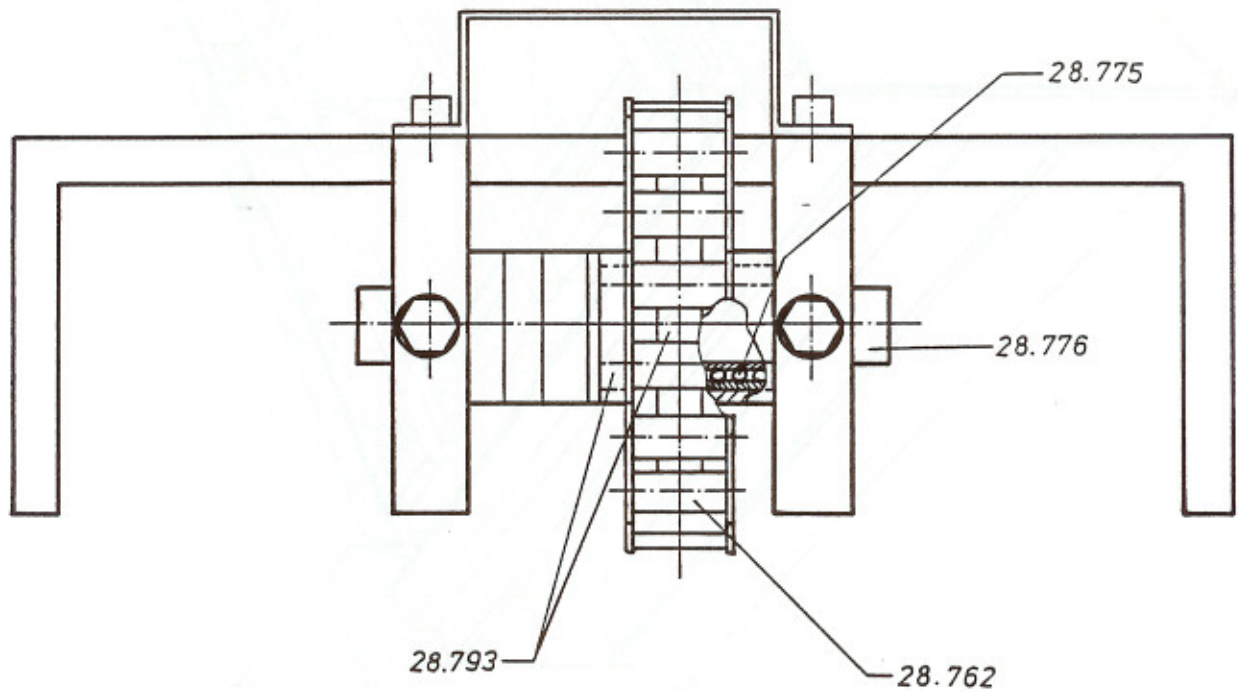
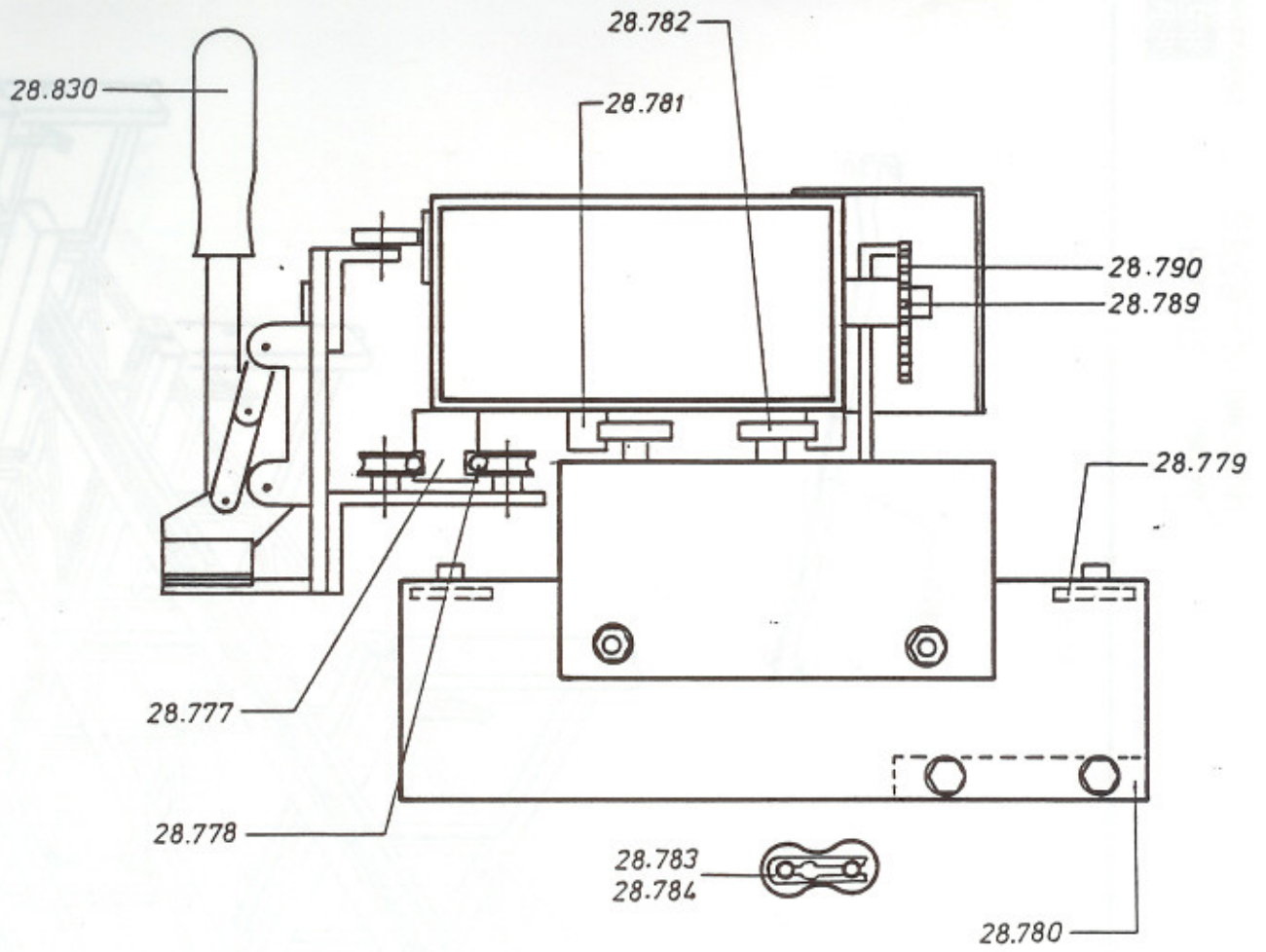




H28S4

DATUM : 9.6.88  
 ZCHG. NR. : 4-6553





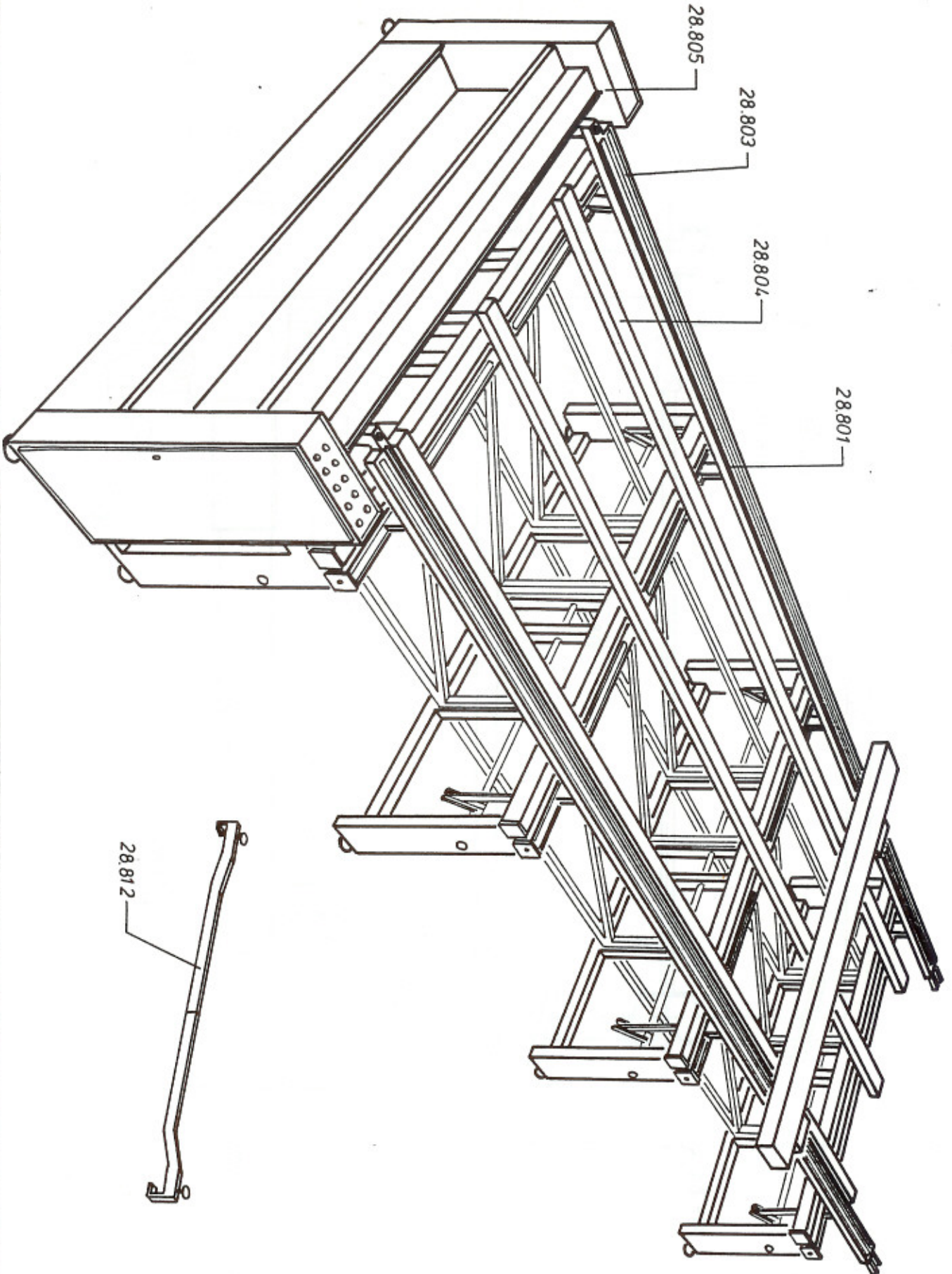
H28S4

DATUM : 9.6.88  
 ZCHG. NR. : 4-6554



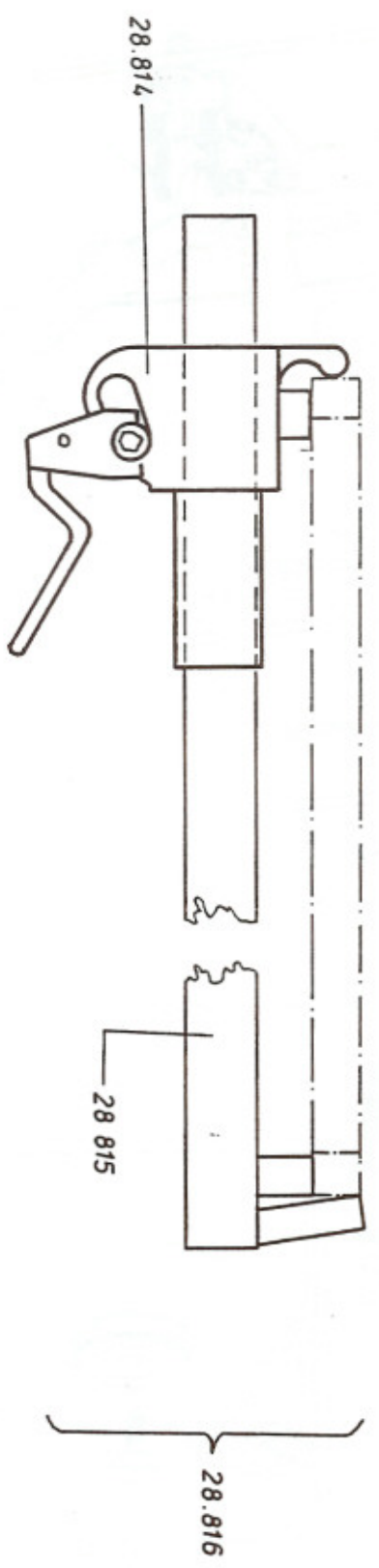
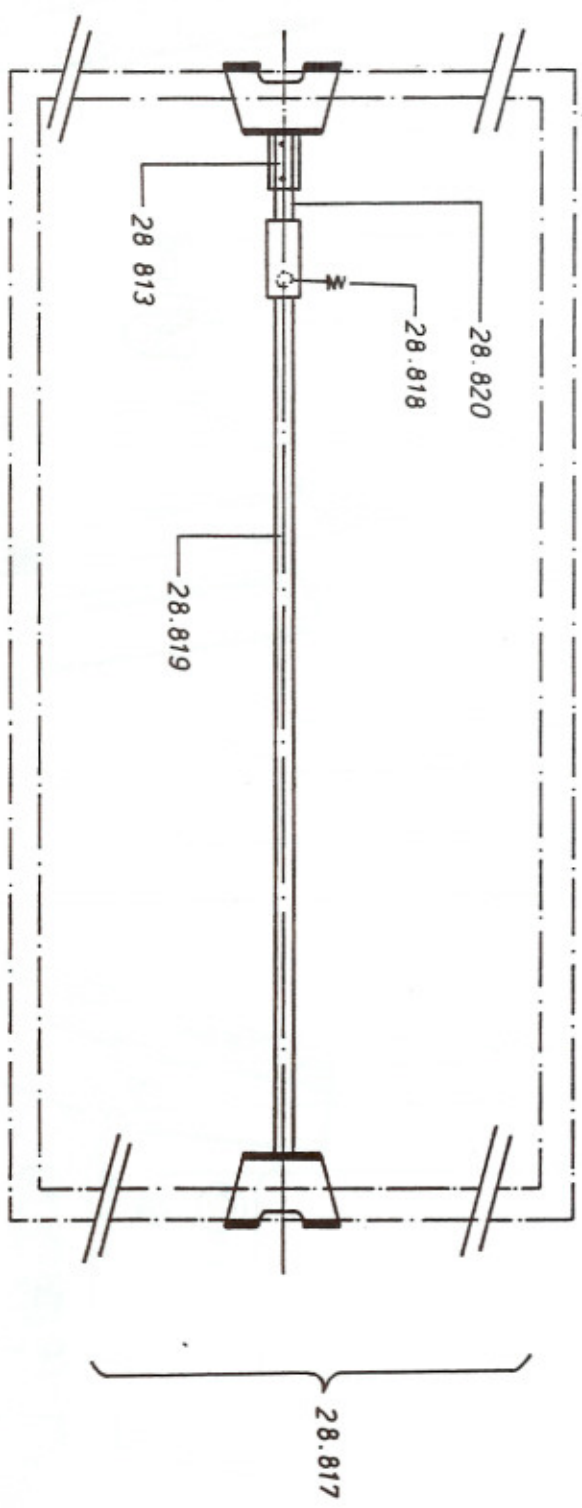


H28S4



DATUM : 9.6.88  
ZCHG. NR. : 4-6555

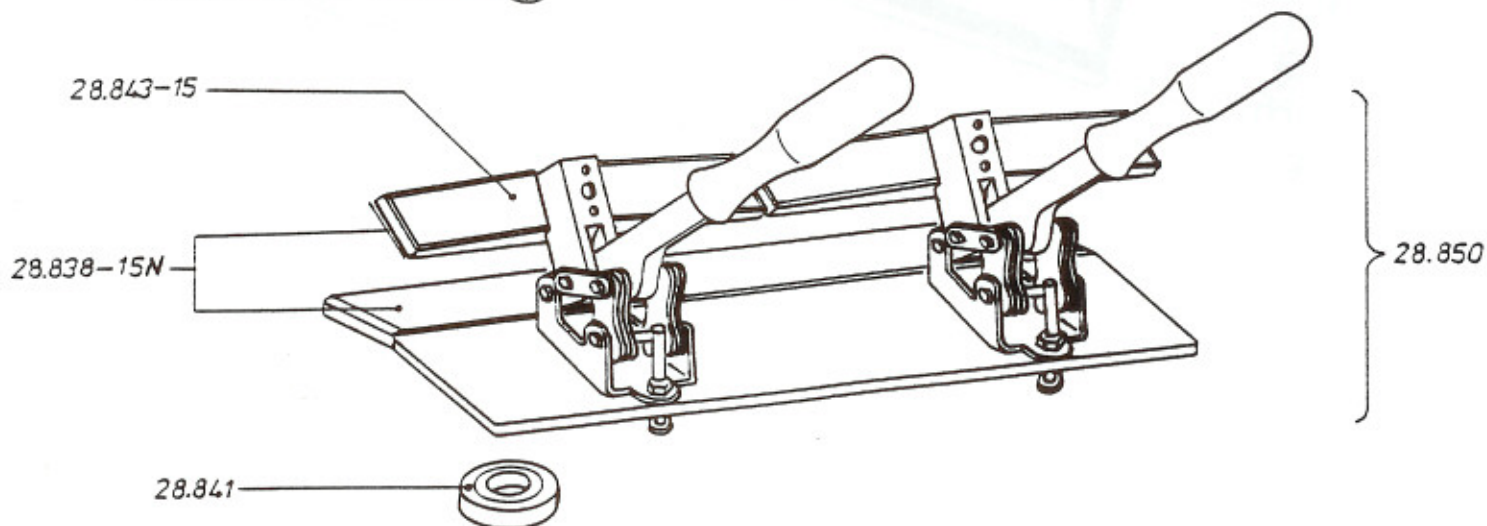
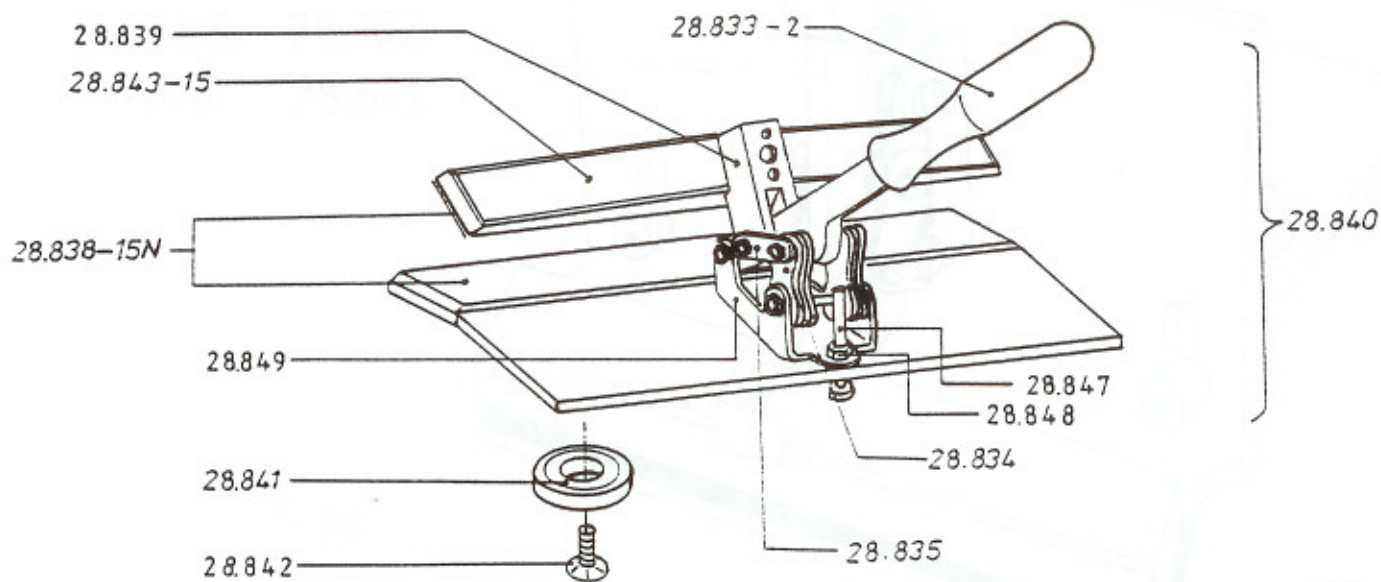
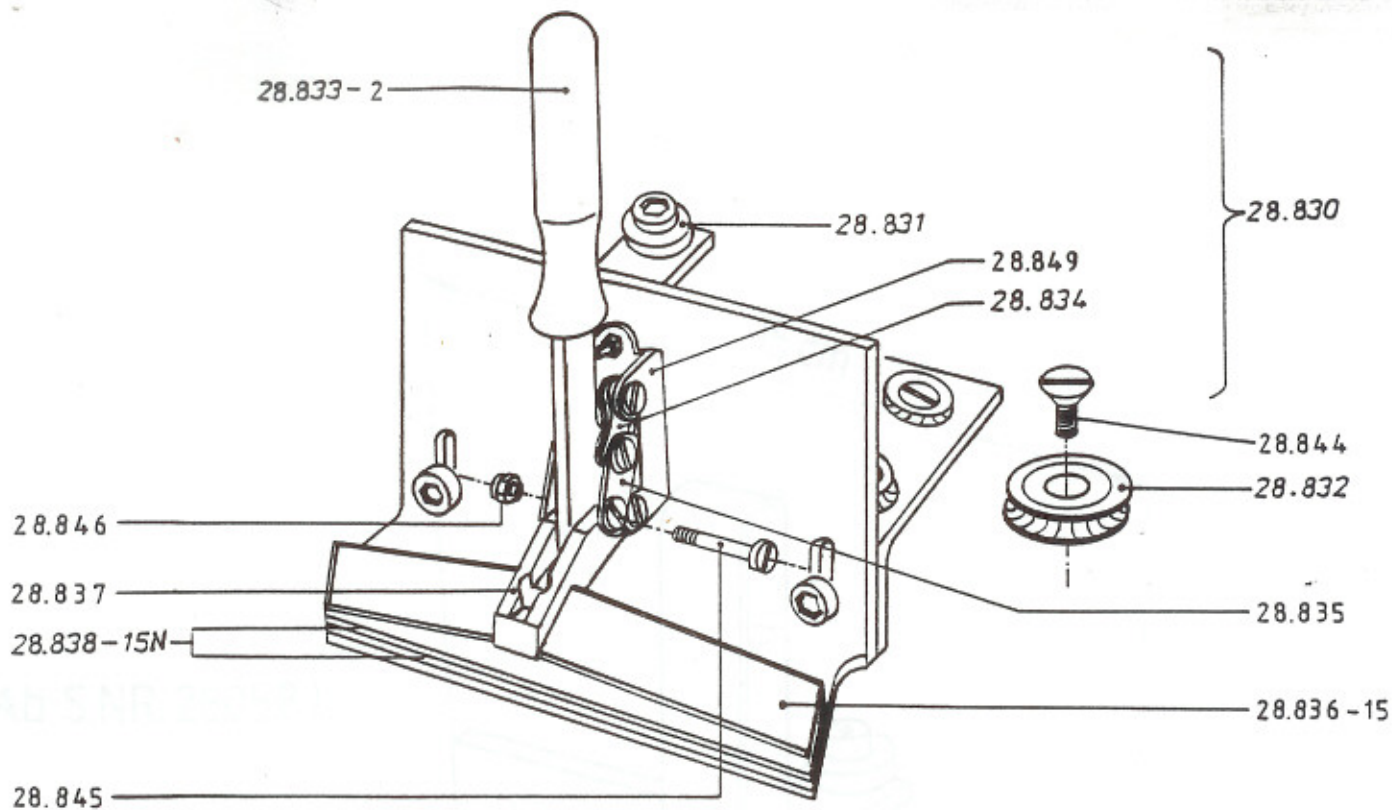




H28S4

DATUM : 9.6.88  
 ZCHG. NR. : 4-6556





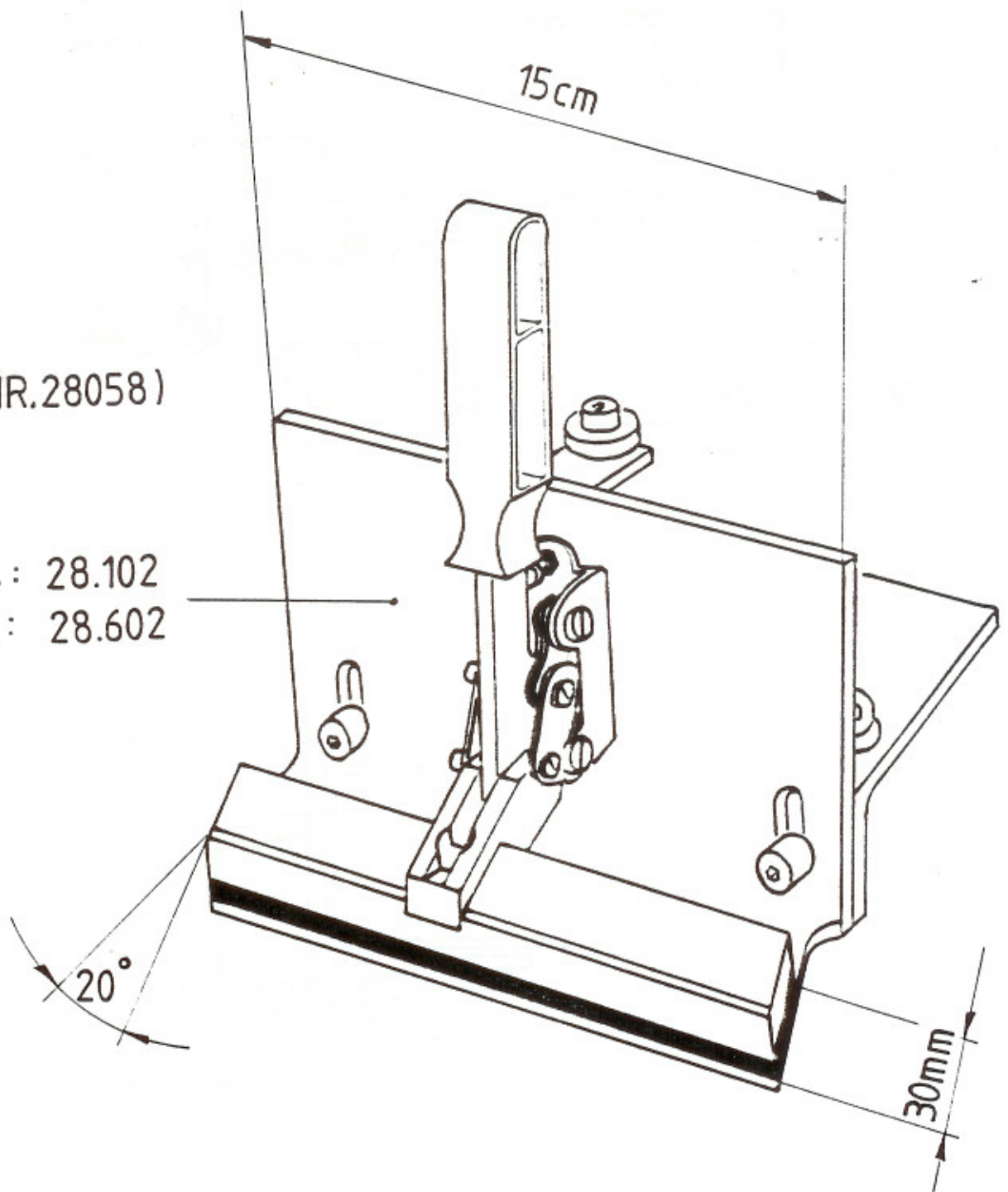
H28S4

DATUM : 3.9.89  
ZCHG. NR. : 4-6557 A



(Ab S.NR.28058)

28S : 28.102  
28S4 : 28.602

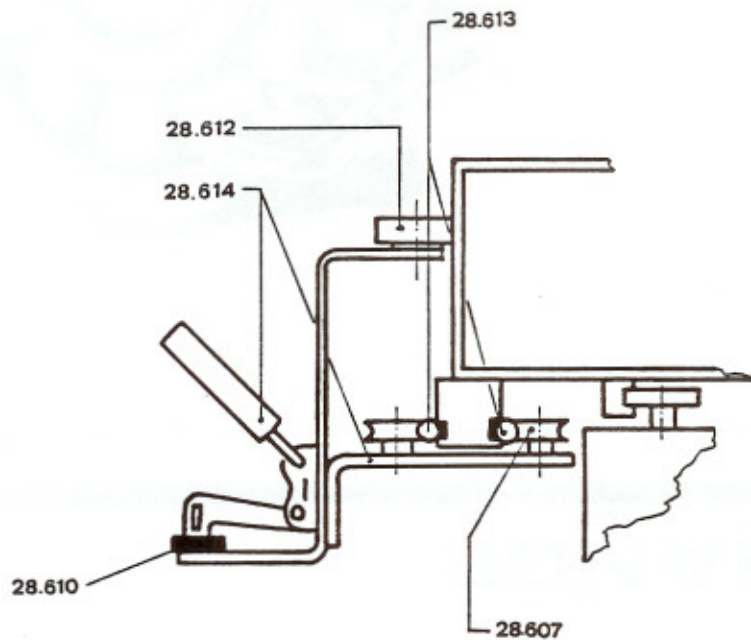
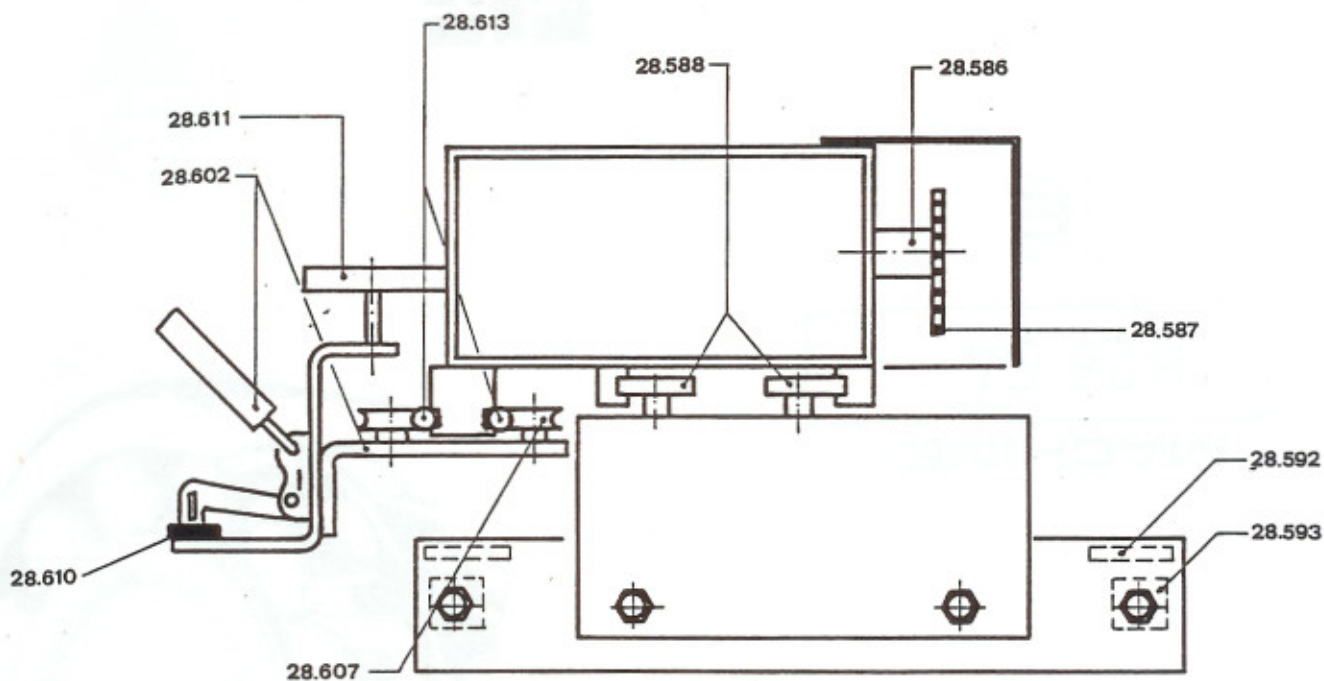


H28

DATUM : 1.6.87  
ZCHG. NR. : 4-6295







**H28 S4**

AB SERIE NR: 28047  
 DATUM : 20.11.86  
 ZCHG. NR. : 4-6241

