

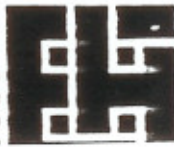
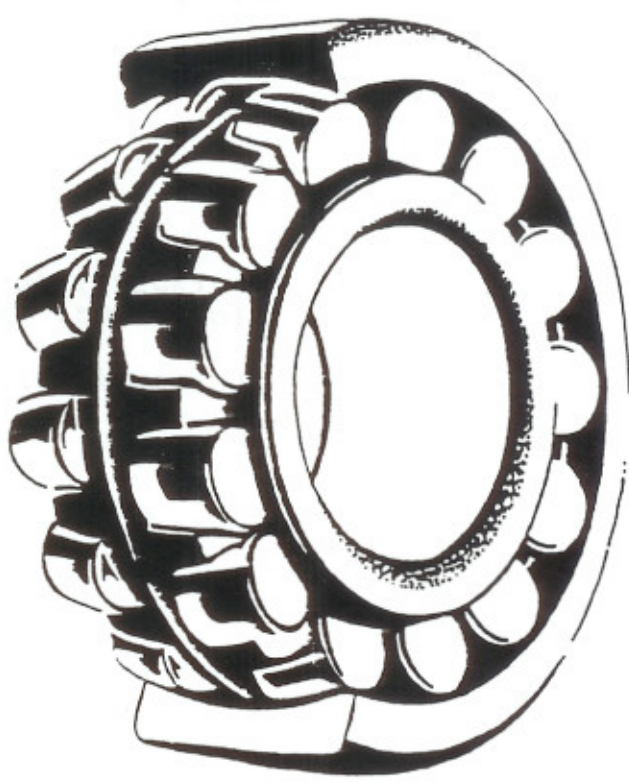
**ERSATZTEILLISTE**  
**SPARE PARTS LIST**  
**LISTE DES PIECES DE RE-  
CHANGE**



**VALID FROM**  
**SERIAL NO: 28053**

**MACHINE:**

**H28S**



SPARE PARTS LIST

(Sketches 4-5786, 4-5787, 4-5788, 4-5789, 4-6241, 4-6500)  
(up from serial no. 28053)

1. ELECTRIC PARTS

Control Panel

- 28.001 - main switch
- 28.002 - fine wire fuses
- 28.003 - control lamp (green)
- 28.004 - fault indicator (red)
- 28.005 - push-button for screen frame lifting
- 28.006 - push-button for screen frame lowering
- 28.007 - push-button for lengthwise stretching
- 28.008 - push-button for tension release lengthwise
- 28.009 - push-button for crosswise stretching
- 28.010 - push-button for tension release crosswise
- 28.011 - turn switch (quick/slow)
- 28.012 - transformer
- 28.013 - rectifier
- 28.014 - binders
- 28.015 - contactors
- 28.016 - protective motor switch

Motor box

- 28.020 - motor for lengthwise movement (quick)
- 28.021 - motor for crosswise movement (two-step)
- 28.022 - gearing
- 28.023 - motor for screen frame lifting/lowering
- 28.024 - gearing
- 28.025 - motor for lengthwise movement (slow)
- 28.026 - limit switch
- 28.027 - electric coupling
- 28.028 - electromagnet

Guiding Beam

- 28.040 - fore limit switch
- 28.041 - rear limit switch

2. MECHANICAL PARTS

- 28.050 - pulley
- 28.051 - V-belt 10 x 850
- 28.052 - double pulley
- 28.053 - V-belt 10 x 850

(GAUZE STRETCHING MACHINE H 28, SPECIAL - SPARE PARTS LIST)

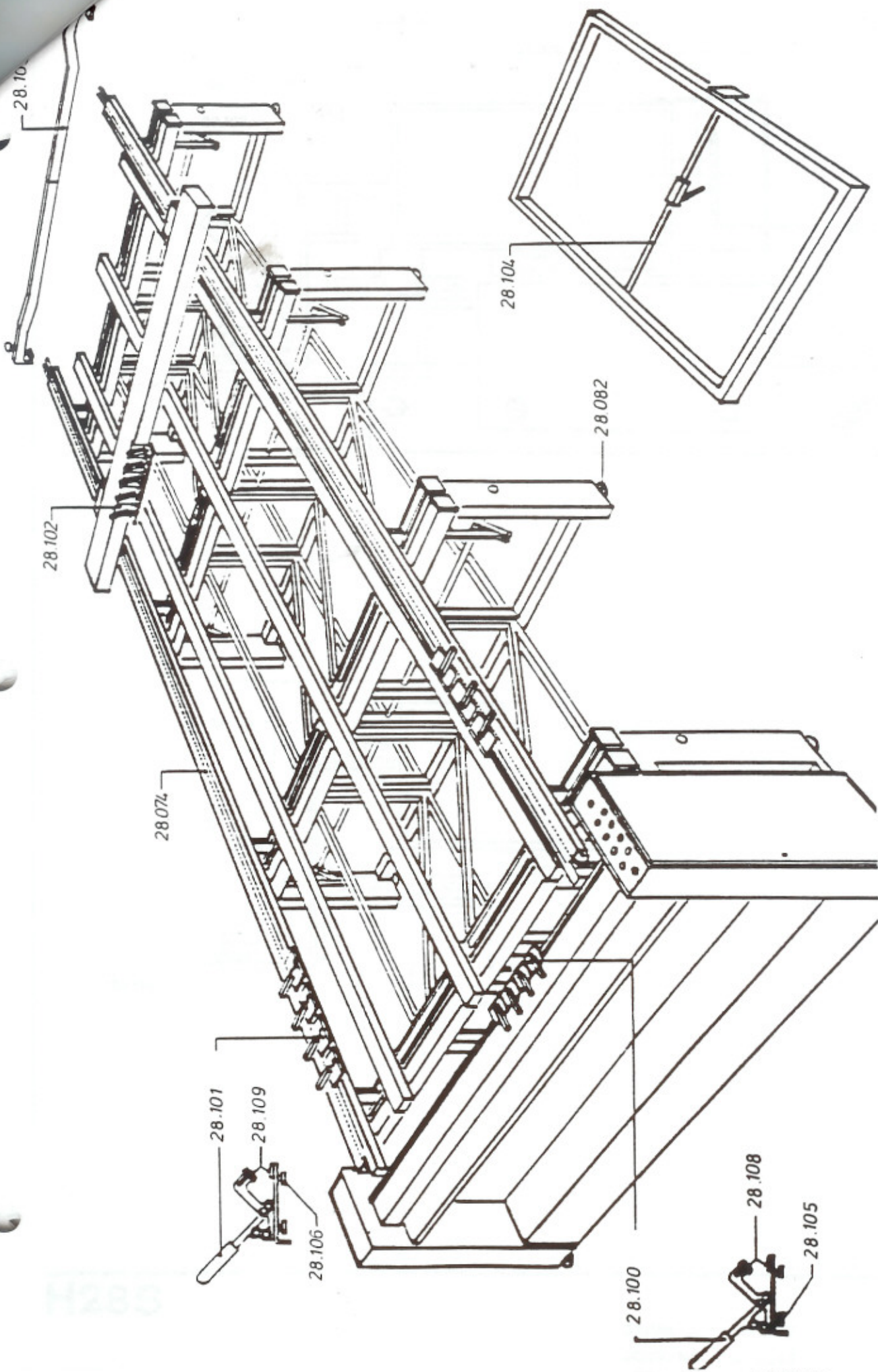
(MECHANICAL PARTS)

- 28.054 - pulley
- 28.055 - shaft bearing
- 28.056 - guide bush
- 28.057 - pulley
- 28.058 - V-belt 10 x 850
- 28.059 - pulley
- 28.060 - chain wheel
- 28.061 - chain
- 28.062 - chain wheel
- 28.063 - pulley
- 28.064 - V-belt 10 x 850
- 28.065 - pulley
- 28.066 - spindle bearing
- 28.067 - spindle
- 28.068 - DUPLEX chain wheel
- 28.069 - DUPLEX chain
- 28.070 - pinion
- 28.071 - deflection roller
- 28.072 - chain adjuster
- 28.073 - chain wheel
- 28.074 - chain
- 28.075 - chain adjuster
- 28.076 - spindle
- 28.077 - chain wheel
- 28.078 - chain
- 28.079 - ball bearing for cross-guiding
- 28.082 - screw foot
- 28.083 - sliding guide
- 28.084 - steady

3. ACCESSORIES

- 28.101 - normal clamp 15 cm long bevelled
- 28.102 - special clamp 15 cm long bevelled
- 28.103 - cross-bar for holding down the gauze
- 28.104 - frame spanner
- 28.106 - ball bearing for normal clamp 15 cm (28.101)
- 28.107 - ball bearing for special clamp 15 cm (28.102)
- 28.109 - rubber profile for normal clamp 15 cm (28.101)
- 28.110 - rubber profile for special clamp 15 cm (28.102)
- 28.111 - nylon wheel
- 28.112 - ball bearing 626 ZZ für 28.102/28.114
- 28.113 - clamp guiding
- 28.114 - clamp special 15 cm long
- 28.116 - thrust bearing
- 28.117 - rubber profile for 28.102
- 28.118 - grob handle for 28.102
- 28.119 - pressing device for 28.102
- 28.120 - pressing lever for 28.102
- 28.121 - support angle for 28.102
- 28.122 - bolt CE with lock nut

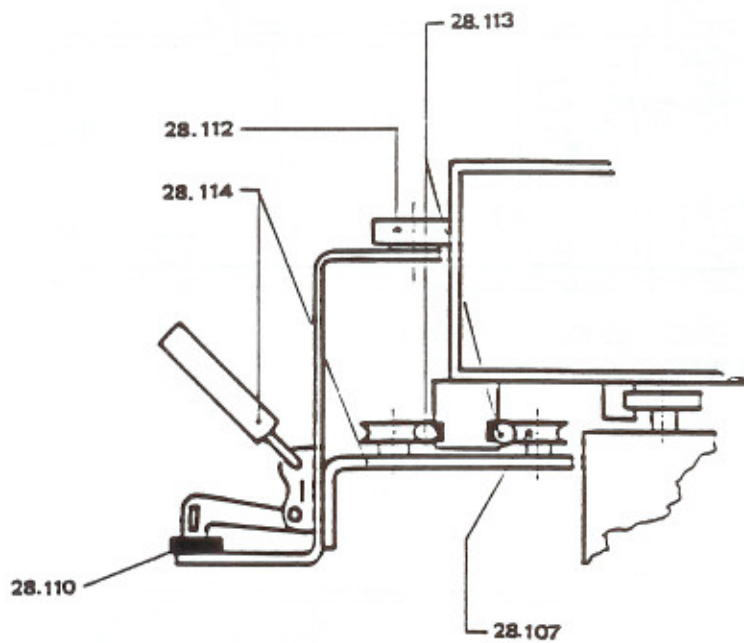
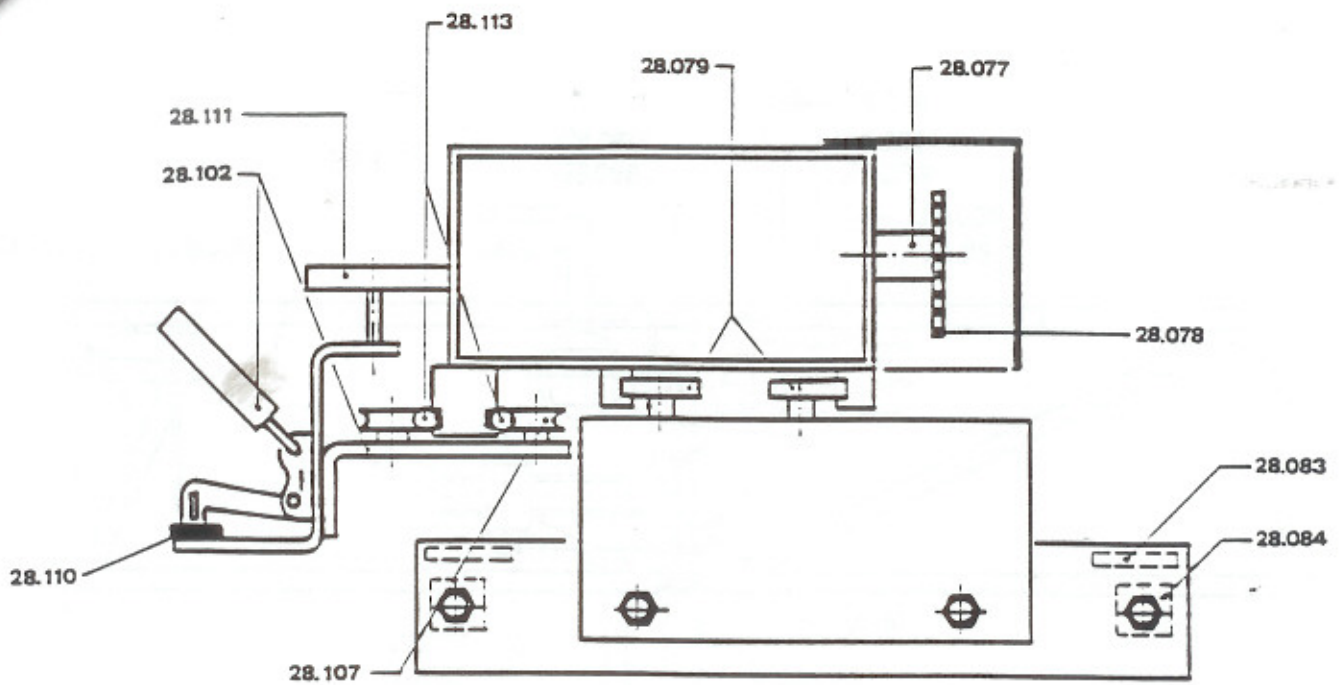
Rudolfstetten, 29th April 1988 sr  
ETLH28SE



H28S

DATUM : 26 87  
 ZCHG. NR. : 4-5789



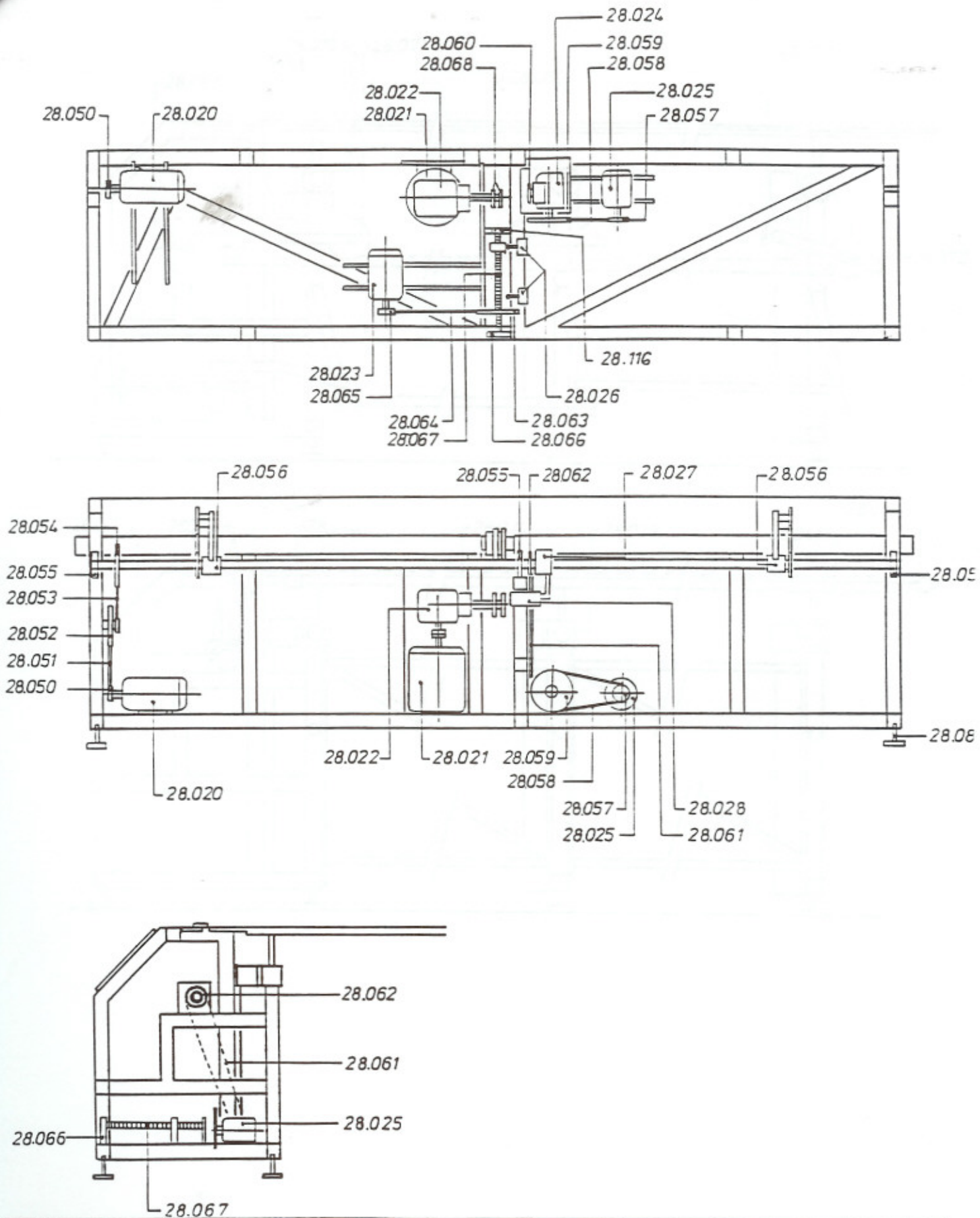


H28S

DATUM : 17.2.87

ZCHG. NR. : 4-6241



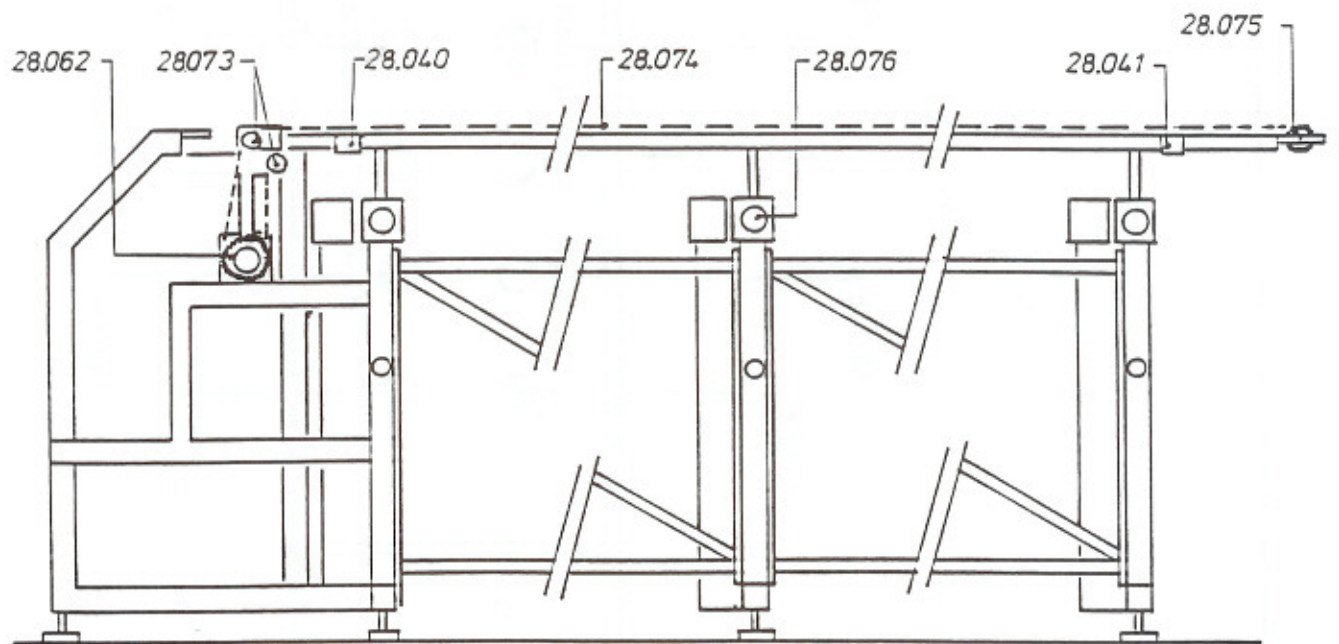
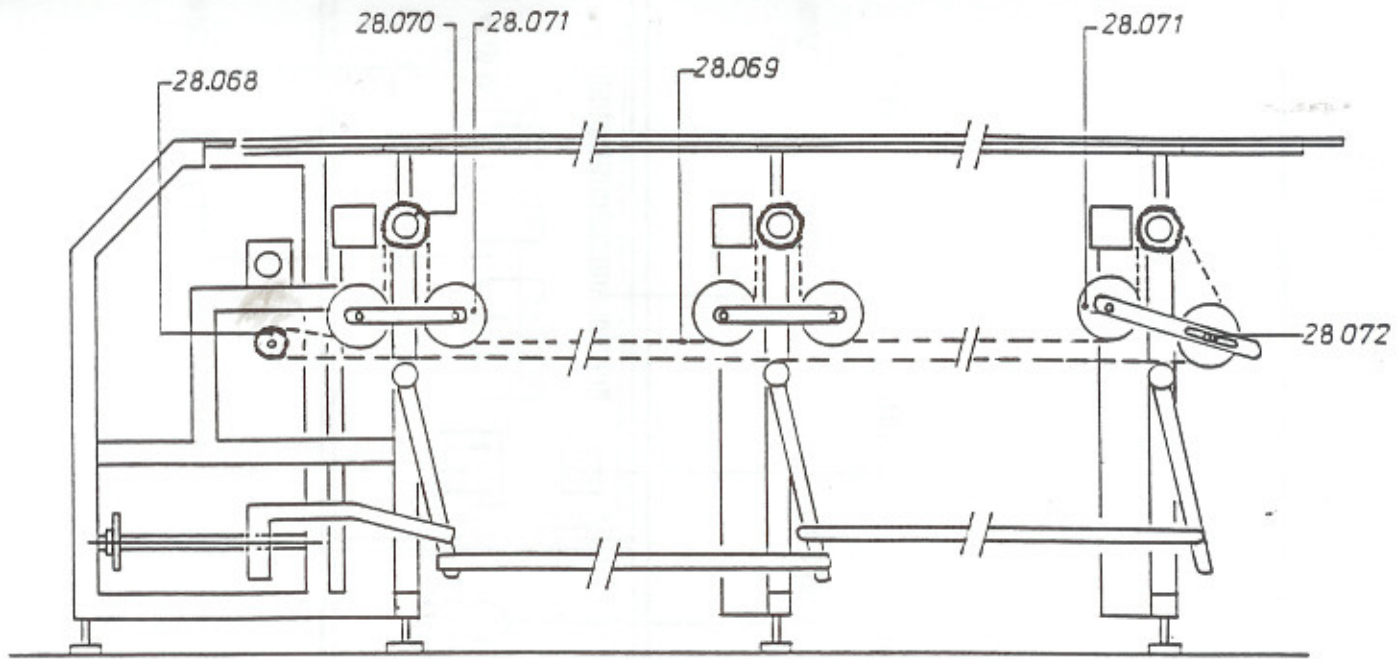


H28S

DATUM : 26 87

ZCHG. NR. : 4-5787

REVISION NR. : 1-1/00



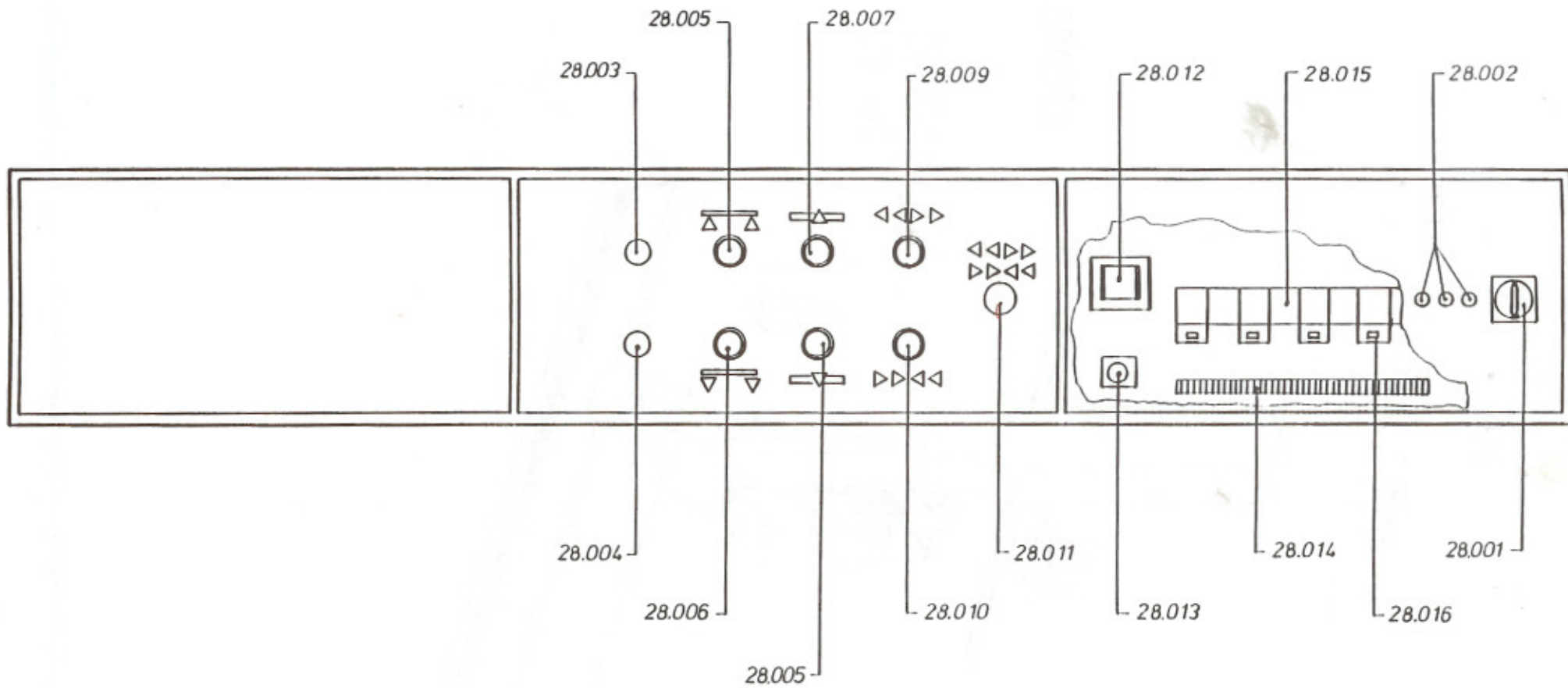
H28S

DATUM : 2.6.87

ZCHG. NR. : 4-5788



Horstler AG



H28 S

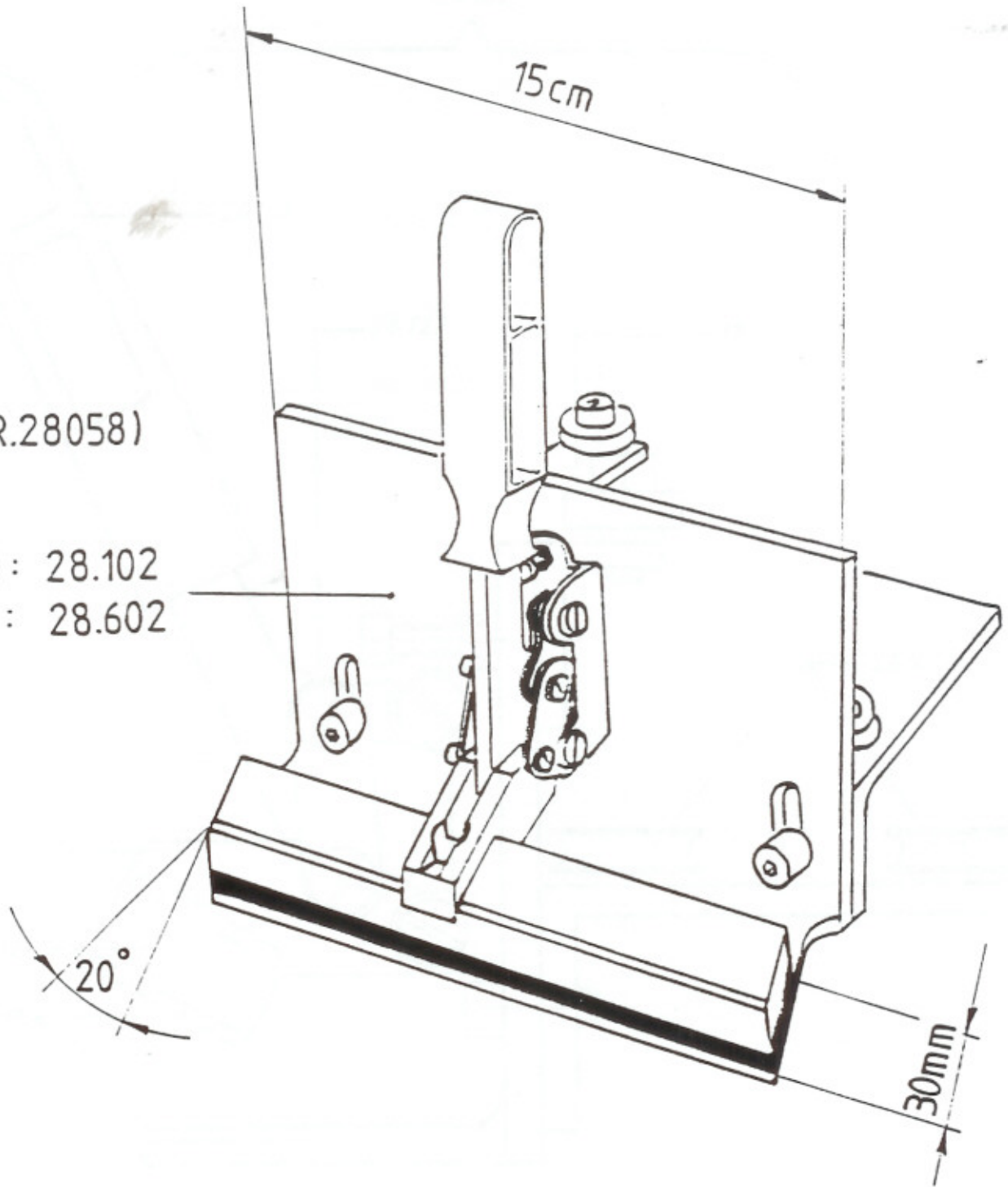
DATUM : 2.6.87





(Ab S.NR.28058)

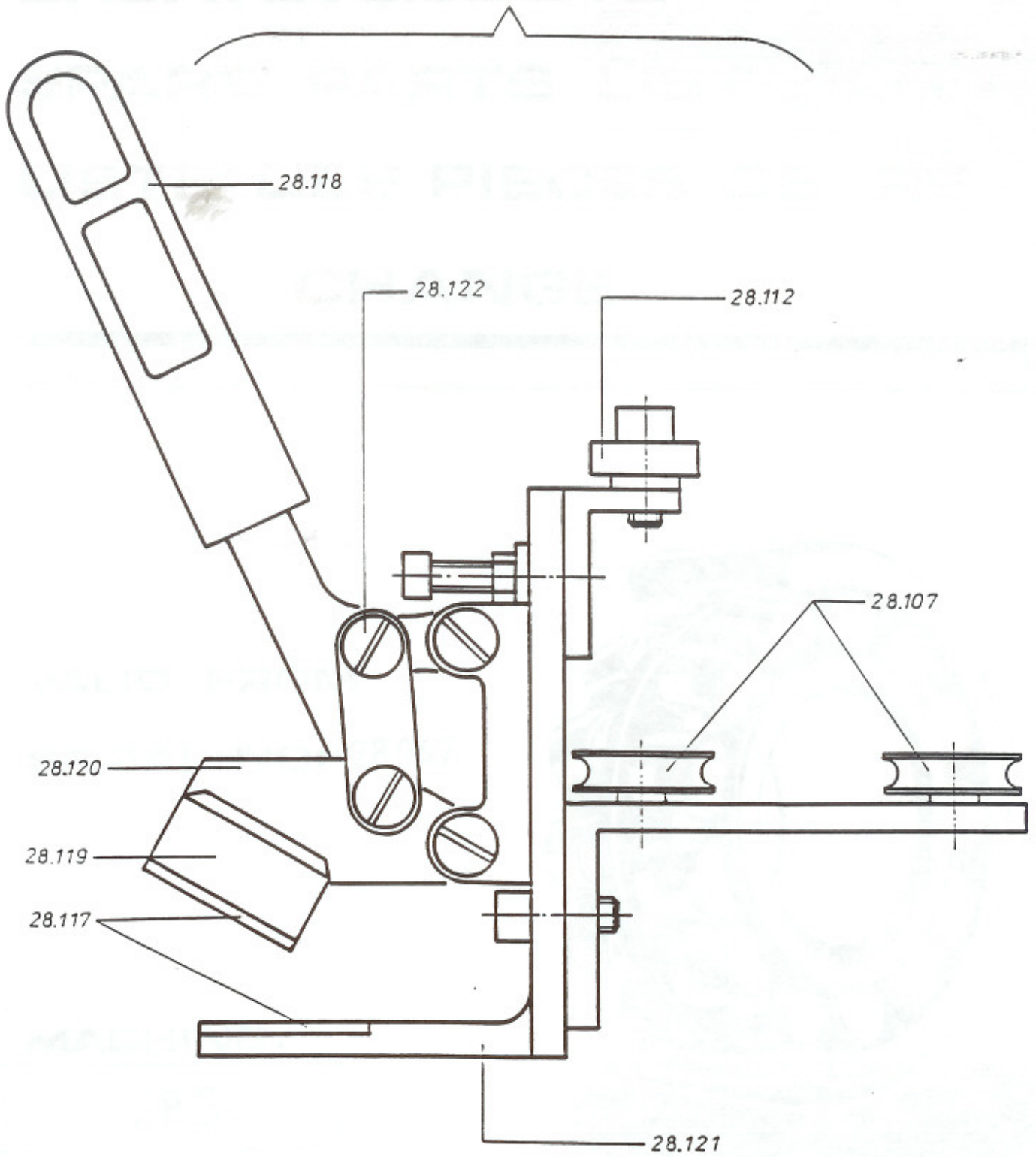
28S : 28.102  
28S4 : 28.602



H28

DATUM : 16.87  
ZCHG. NR. : 4-6295





H28S

DATUM : 4.3.88

ZCHG. NR. : 4-6500



Halber AG