

ERSATZTEILLISTE
SPARE PARTS LIST
LISTE DES PIECES DE RE -
CHANGE

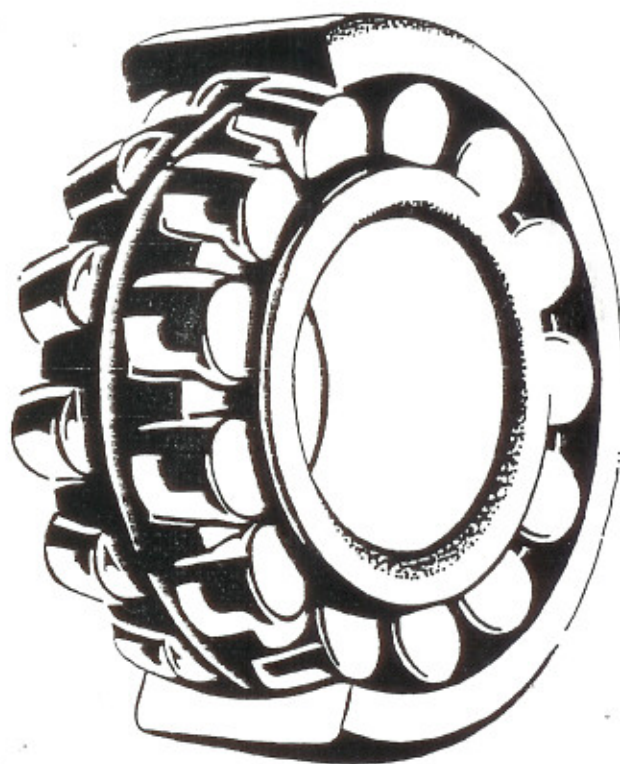
VALID FROM

SERIAL NO: 28047

MACHINE:

H28S4

E



GAUZE - STRETCHING MACHINE H 28 S-4

SPARE PARTS LIST

(Sketches 4-6010, 4-6011, 4-6012, 4-6013, 4-6014, 4-6241)
(valid from serial no. 28.047)

1. ELECTRICAL PARTS

CONTROL BOX

28.501 - main switch
28.502 - control lamp
28.503 - press switch for front longitudinal stretching
28.504 - press switch for front longitudinal detachment
28.505 - press switch for crosswise stretching
28.506 - press switch for crosswise detachment
28.507 - press switch for rear longitudinal stretching
28.508 - press switch for longitudinal detachment
28.509 - press switch for screen frame contact pressure
28.510 - press switch for screen frame lowering
28.511 - turn switch for high speed / slow speed
28.512 - remote control
28.513 - sensing device to remote control
28.514 - limit switch
28.515 - transformer
28.516 - printed circuit board to remote control
28.517 - binding posts
28.519 - contactor
28.520 - cap to contactor
28.521 - protective motor switch
28.522 - contactor
28.523 - cap to contactor

MOTOR BOX

28.530 - motor for back longitudinal stretching
28.531 - motor for crosswise stretching (2-step)
28.532 - gear
28.533 - motor for screen frame lifting / lowering
28.534 - gear
28.535 - motor for back longitudinal stretching
28.536 - limit switch
28.537 - electro - coupler
28.538 - electro - magnet
28.539 - motor for front longitudinal stretching
28.540 - gear

(GAUZE-STRETCHING MACHINE H 28 S-4 / SPARE PARTS LIST)

GUIDING BEAMS

- 28.545 - front limit switch
- 28.546 - back limit switch

2. MECHANICAL PARTS

- 28.550 - pulley
- 28.551 - V-belt 10 x 850
- 28.552 - double pulley
- 28.553 - V-belt 10 x 850
- 28.554 - pulley
- 28.555 - stern tube bearing
- 28.556 - guide bush
- 28.557 - pulley
- 28.558 - V-belt 10 x 850
- 28.559 - pulley
- 28.560 - chain-wheel
- 28.561 - chain
- 28.562 - chain-wheel
- 28.563 - pulley
- 28.564 - V-belt 10 x 850
- 28.565 - pulley
- 28.566 - spindle bearing
- 28.567 - spindle
- 28.568 - duplex chain-wheel
- 28.569 - duplex-chain
- 28.570 - pinion gear
- 28.571 - deflection pulley
- 28.572 - chain tension
- 28.573 - chain wheel
- 28.574 - chain
- 28.575 - chain-adjuster
- 28.576 - feed rod
- 28.577 - pulley
- 28.578 - V-belt
- 28.579 - pulley
- 28.580 - chain wheel
- 28.581 - chain
- 28.582 - chain-wheel complete
- 28.583 - spindle
- 28.584 - bearing
- 28.585 - vertical bearing
- 28.586 - chain-wheel
- 28.587 - chain
- 28.588 - ball bearing for crosswise guiding
- 28.591 - adjustable foot screw
- 28.592 - sliding guide
- 28.593 - steady

3. ADDITIONAL PARTS

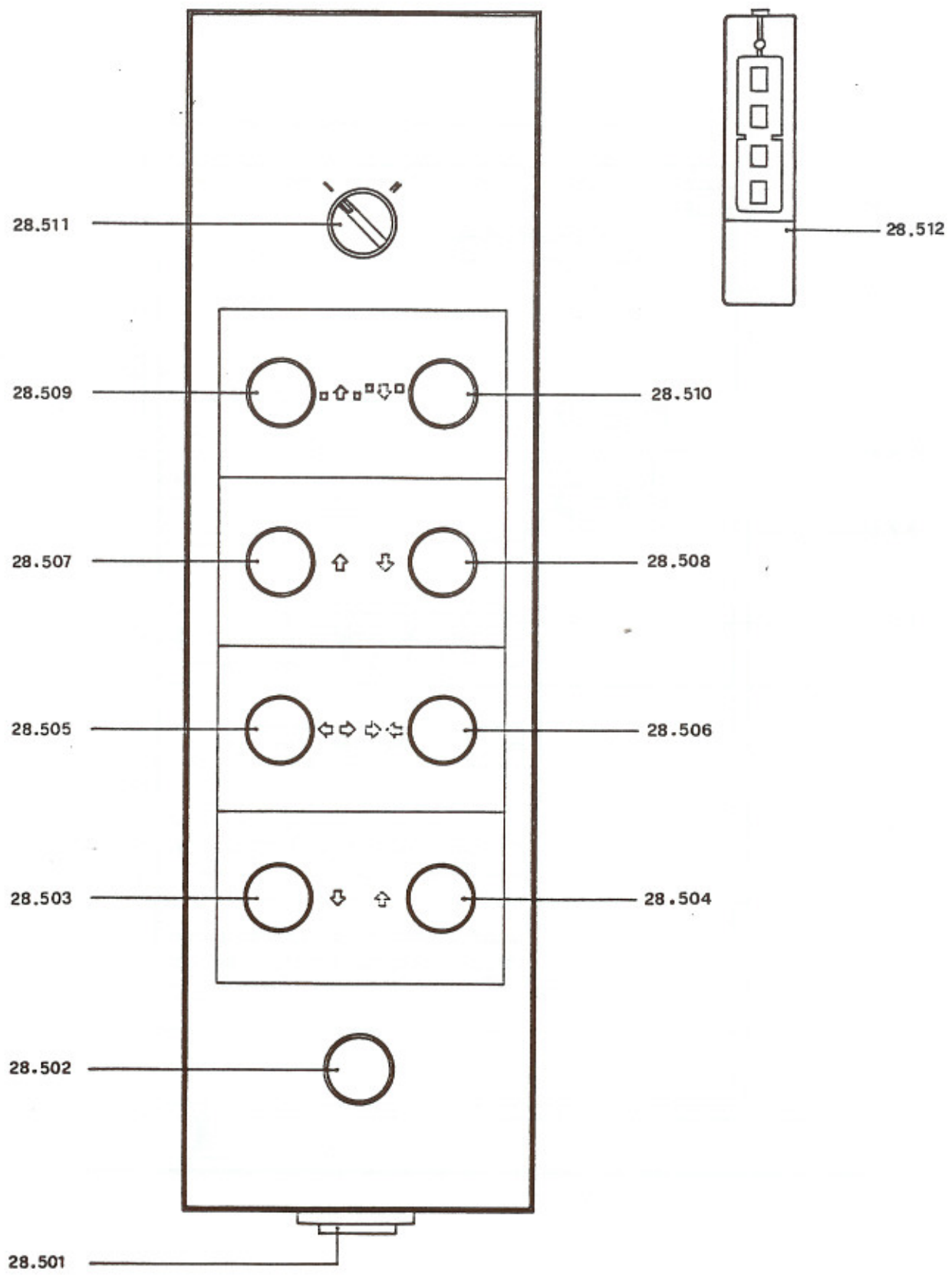
- 28.600 - normal clamp carriage 15 cm
- 28.601 - normal clamp carriage 30 cm
- 28.602 - special clamp carriage 15 cm
- 28.603 - holding down bar
- 28.604 - screen frame spanner
- 28.605 - ball bearing for 28.600

(GAUZE-STRETCHING MACHINE H 28 S-4 / SPARE PARTS LIST)

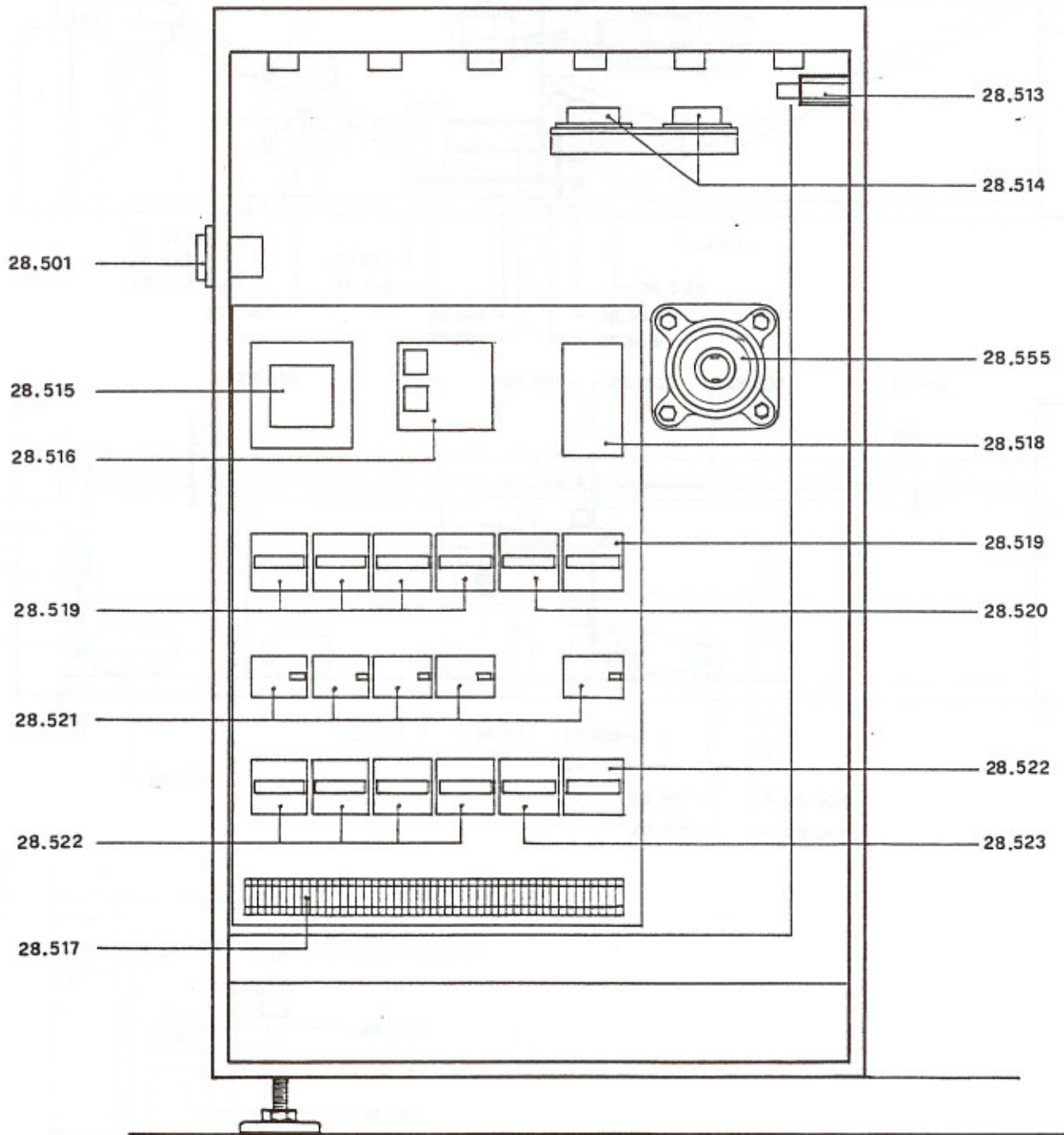
- 28.606 - ball bearing for 28.601
- 28.607 - ball bearing for 28.602
- 28.608 - rubber profile for 28.600
- 28.609 - rubber profile for 28.601
- 28.610 - rubber profile for 28.602
- 28.611 - nylon wheel
- 28.612 - ball bearing 626 ZZ for 28.602/28.614
- 28.613 - clamp guiding device
- 28.614 - clamp special 15 cm
- 28.615 - limit switch
- 28.616 - thrust bearing

Rudolfstetten. November 1986 UB/ik

H 28 S4



H 28 S4



DATUM: 3.12.84

ZCHG. NR. 4-6011

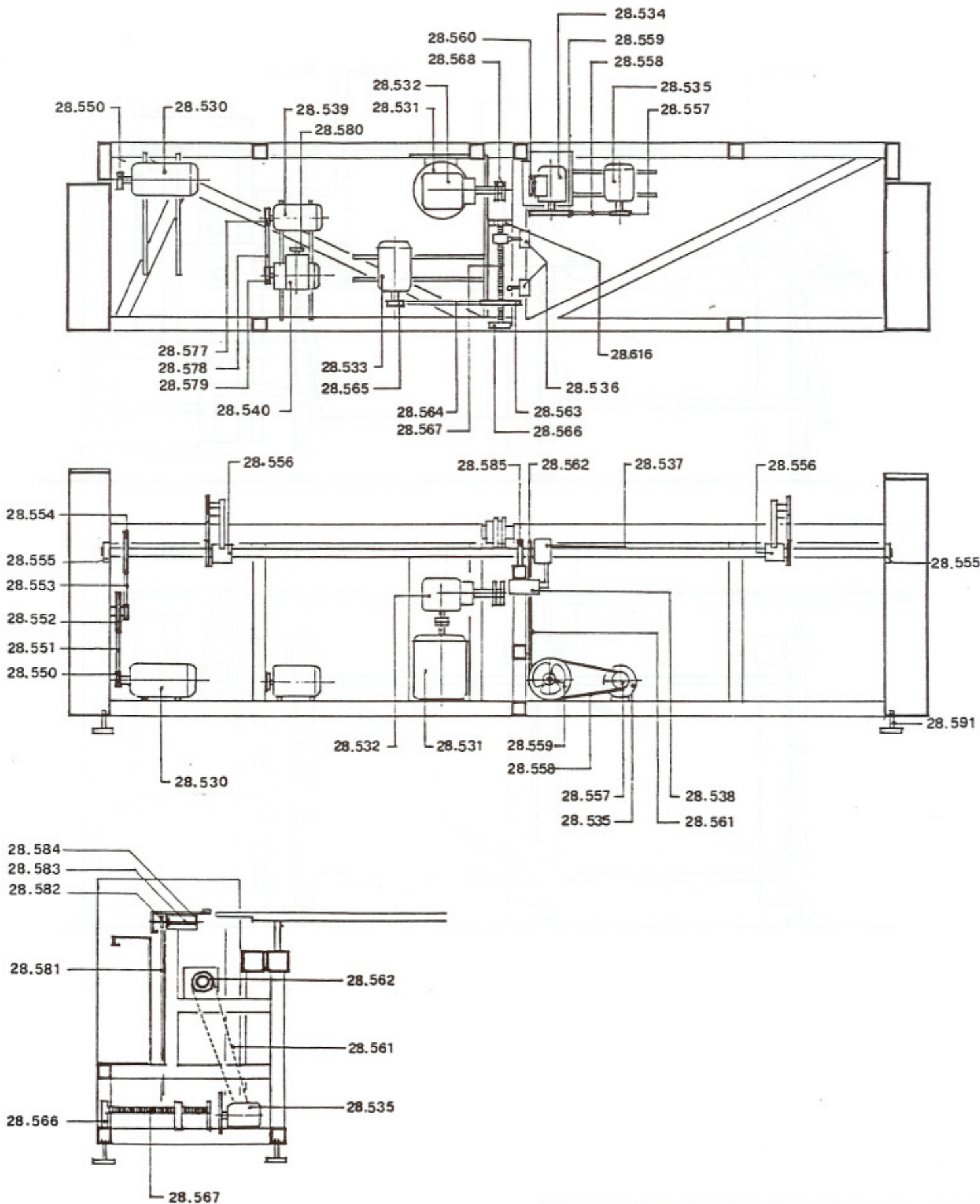
HARLACHER AG

GARTENSTRASSE 7

8902 URDORF ZH

SCHWEIZ

H 28 S4



DATUM: 3.12.84

ZCHG. NR. 4-6012

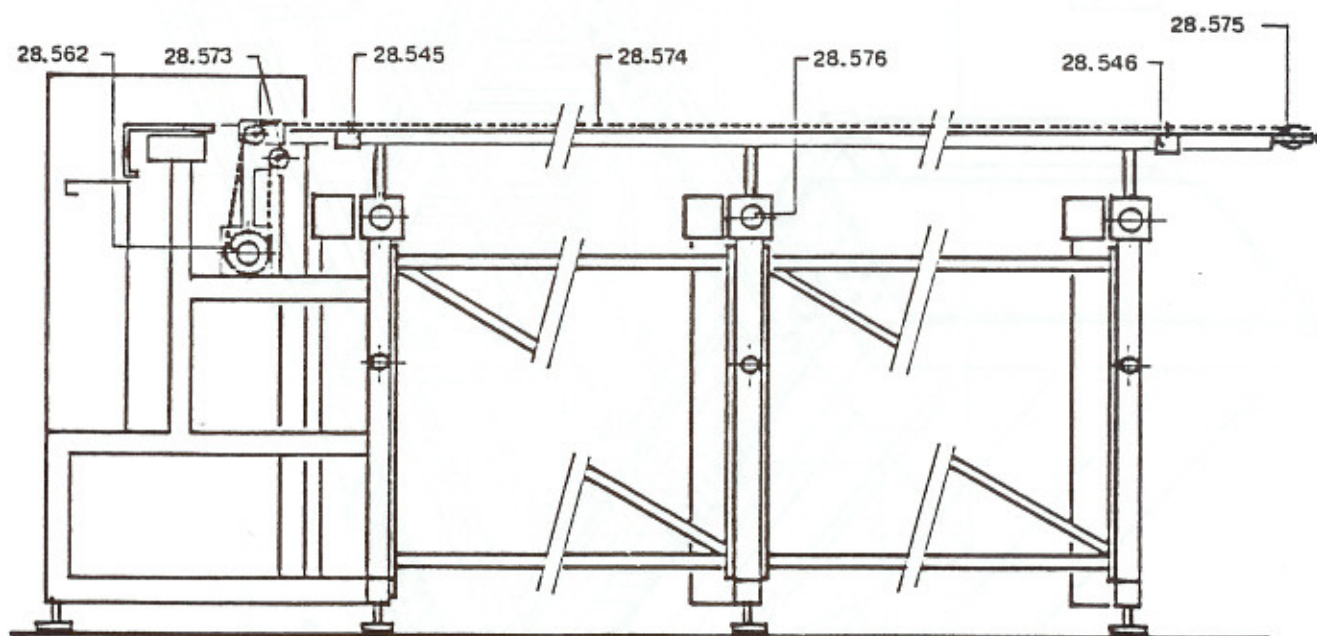
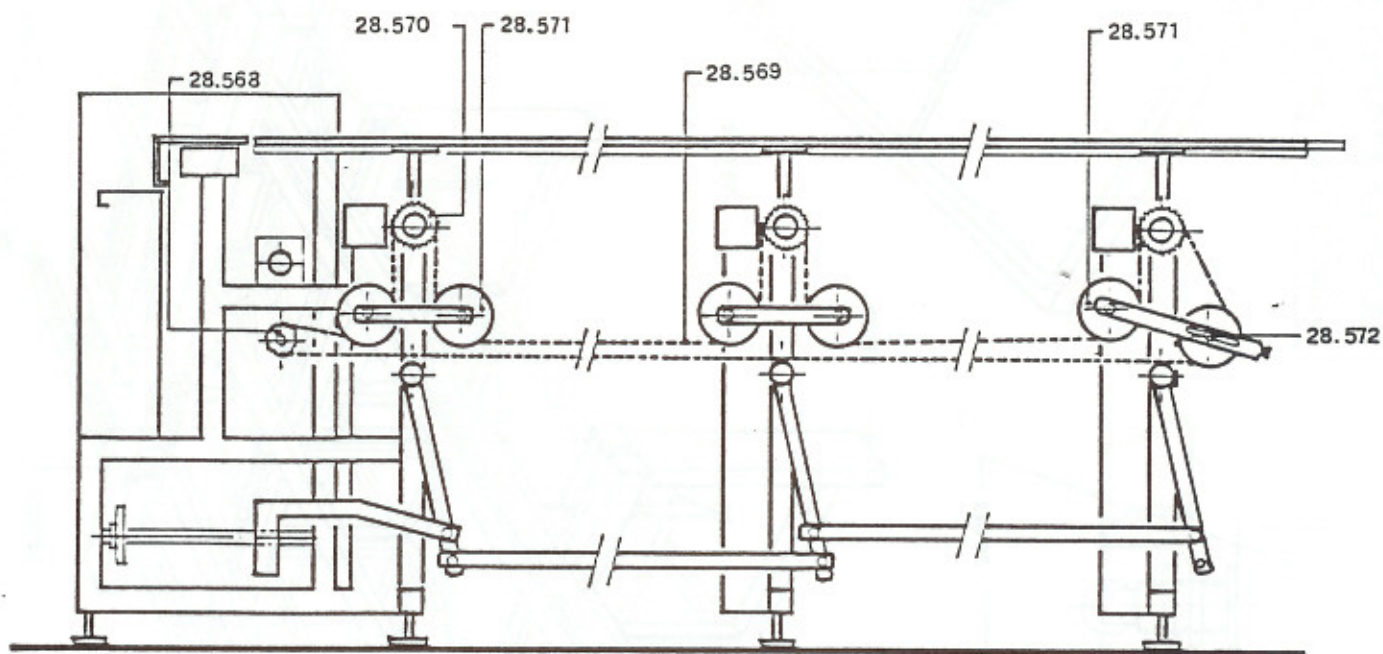
HARLACHER AG

GARTENSTRASSE 7

8902 URDORF ZH

SCHWEIZ

H 28 S4



DATUM: 3.12.84 / 20.11.86 ZCHG. NR. 4-6013 B

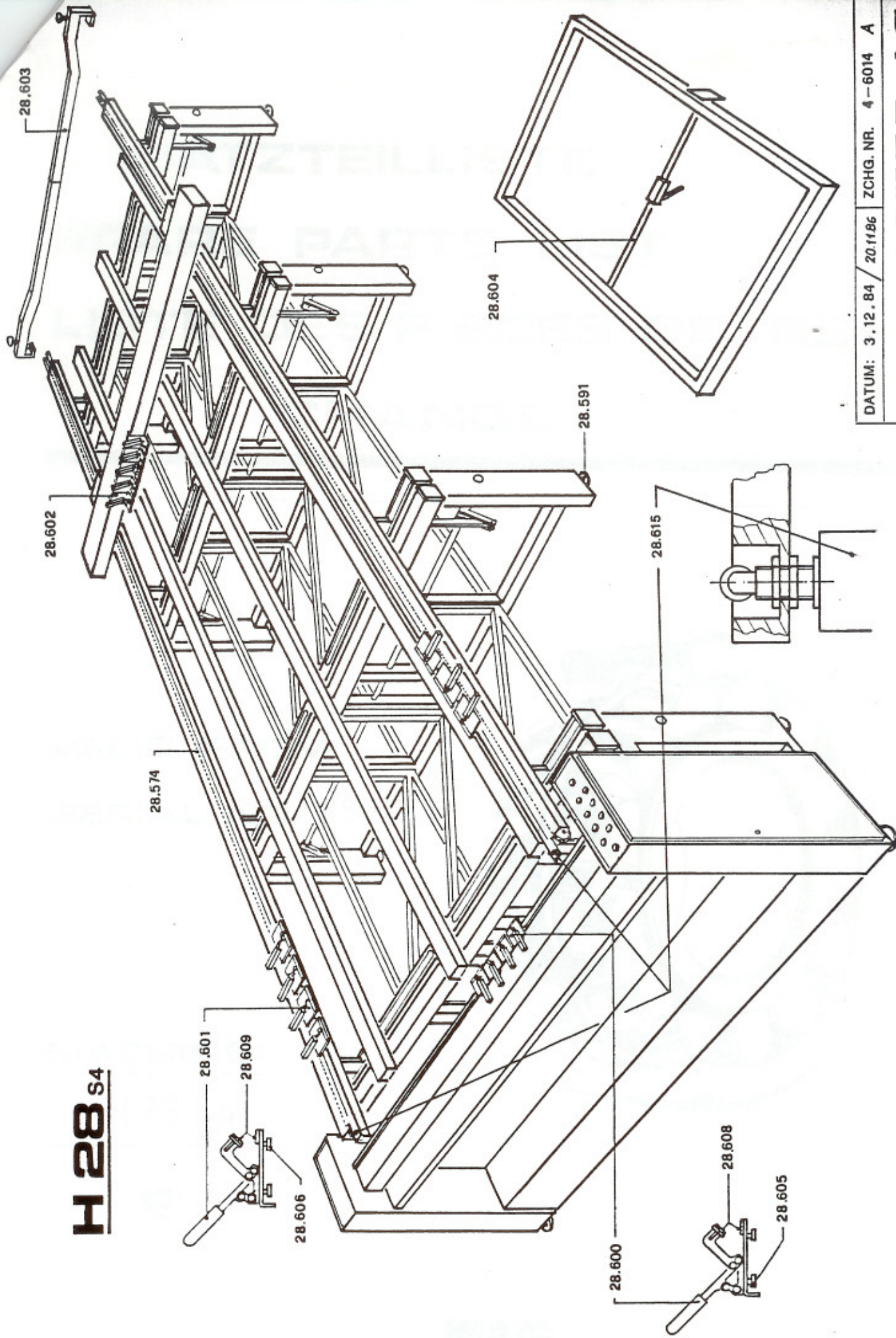
HARLACHER AG

GARTENSTRASSE 7

8002 URDORF ZH

SCHWEI

H 28 S4



DATUM: 3.12.84 / 20.11.86 ZCHG. NR. 4-6014 A

HAFELACHEF AG
GARTENSTRASSE 7 8905 URDORF ZH SCHWEIZ